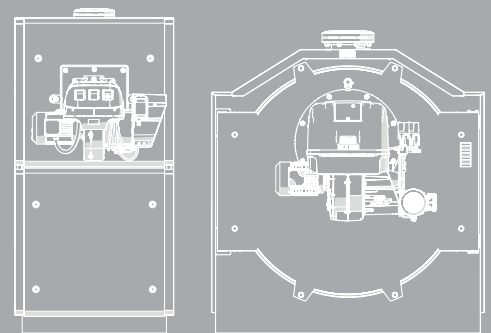


# RTC

Stainless Steel Condensing Floor Standing Boilers  
Boilers water-side pressure loss

High water content 3-pass stainless steel (316Ti) condensing boilers



## HIGH EFFICIENCY COMMERCIAL HEATING

Stainless Steel Condensing Floor Standing Boilers

### WATER-SIDE PRESSURE DROP

Model	$\Delta T=20^{\circ}F$		$\Delta T=30^{\circ}F$		$\Delta T=40^{\circ}F$		$\Delta T=60^{\circ}F$	
	Flow-rate	Pressure drop	Flow-rate	Pressure drop	Flow-rate	Pressure drop	Flow-rate	Pressure drop
	(GPM)	(psi)	(GPM)	(psi)	(GPM)	(psi)	(GPM)	(psi)
<b>RTC 3000</b>	285	1.56	190	0.86	143	0.58	95	0.34
<b>RTC 4000</b>	380	0.63	253	0.39	190	0.29	127	0.19
<b>RTC 5000</b>	475	0.59	317	0.36	238	0.25	158	0.16
<b>RTC 6000</b>	570	1.24	380	0.76	285	0.54	190	0.35
<b>RTC 8000</b>	760	1.01	507	0.59	380	0.41	253	0.25
<b>RTC 10000</b>	950	0.76	633	0.41	475	0.28	317	0.17

Efficiency at 95% full load

Model	$\Delta T=20^{\circ}F$		$\Delta T=30^{\circ}F$		$\Delta T=40^{\circ}F$		$\Delta T=60^{\circ}F$	
	Flow-rate	Pressure drop	Flow-rate	Pressure drop	Flow-rate	Pressure drop	Flow-rate	Pressure drop
	(GPM)	(psi)	(GPM)	(psi)	(GPM)	(psi)	(GPM)	(psi)
<b>RTC 3000</b>	276	1.48	184	0.82	138	0.55	92	0.33
<b>RTC 4000</b>	368	0.61	245	0.38	184	0.28	123	0.18
<b>RTC 5000</b>	460	0.56	307	0.34	230	0.25	153	0.16
<b>RTC 6000</b>	552	1.19	368	0.73	276	0.52	184	0.33
<b>RTC 8000</b>	736	0.97	491	0.56	368	0.39	245	0.24
<b>RTC 10000</b>	920	0.72	613	0.39	460	0.27	307	0.16

Efficiency at 92% full load

Model	$\Delta T=20^{\circ}F$		$\Delta T=30^{\circ}F$		$\Delta T=40^{\circ}F$		$\Delta T=60^{\circ}F$	
	Flow-rate	Pressure drop	Flow-rate	Pressure drop	Flow-rate	Pressure drop	Flow-rate	Pressure drop
	(GPM)	(psi)	(GPM)	(psi)	(GPM)	(psi)	(GPM)	(psi)
<b>RTC 3000</b>	261	1.36	174	0.76	131	0.51	87	0.30
<b>RTC 4000</b>	348	0.57	232	0.36	174	0.26	116	0.17
<b>RTC 5000</b>	435	0.52	290	0.32	218	0.23	145	0.15
<b>RTC 6000</b>	522	1.11	348	0.68	261	0.49	174	0.32
<b>RTC 8000</b>	696	0.90	464	0.52	348	0.36	232	0.22
<b>RTC 10000</b>	870	0.66	580	0.36	435	0.25	290	0.15

Efficiency at 87% full load

### WATER-SIDE PRESSURE DROP CURVES

