



**GHY**

**GSY**

**GXY**



- Indoor Environment and air Quality
- Design Flexibility
- Performance
- Energy Efficiency
- Serviceability

- Floor or wall mounted for concealed or exposed applications
- Hot water coils, steam coils, or electric heat only options
- Optional colors, valve packages, controls and unit configurations
- Nominal CFM range of 200 to 1200 CFM

# Cabinet Heater G\*Y Series

## TECHNICAL CATALOG

---

International Environmental Corporation (IEC) works continually to improve its products. As a result, the design and specifications of each product may be changed without notice and may not be as described herein. Please contact IEC for information regarding current design and product specifications. Statements and other information contained herein are not express warranties and do not form the basis of any bargain between the parties but are merely IEC's opinion or commendation of its products. Manufacturer's standard limited warranty applies.

## Table of Contents

|              |   |
|--------------|---|
| <b>4</b>     | Portfolio                                   |
| <b>5</b>     | Features and Benefits                       |
| <b>6</b>     | Unit Model Key                              |
| <b>7</b>     | Ratings and Listings                        |
| <b>8-11</b>  | Fan Performance Curves – PSC                |
| <b>12-15</b> | Fan Performance Curves – ECM                |
| <b>16</b>    | Motor Performance Data                      |
| <b>17</b>    | Sound Power Data                            |
| <b>18</b>    | Electric Heating                            |
| <b>19-20</b> | CUH Exploded View – GHY                     |
| <b>21-25</b> | Physical Data – GHY                         |
| <b>26-27</b> | CUH Exploded View – GXY                     |
| <b>28-31</b> | Physical Data – GXY                         |
| <b>32-33</b> | CUH Exploded View – GSY                     |
| <b>34-37</b> | Physical Data – GSY                         |
| <b>38</b>    | Coil Stub Out Dimensions                    |
| <b>39</b>    | Air Flow Arrangements                       |
| <b>40-50</b> | Standard Features, Options, and Accessories |

### Portfolio

#### Vertical Hideaway (GHY) 200 CFM to 1200 CFM

The Vertical Hideaway (GHY) cabinet heater is designed for concealed applications. The slender design of the GHY makes this unit ideal for perimeter heating and applications in public buildings, offices, hospitals and hotels. Standard GHY units are 18 gauge galvanized finish steel with the option for a 16ga decorative wall panel.



#### Vertical Cabinet (GXY) 200 CFM to 1200 CFM

The slender design of the Vertical Cabinet (GXY) cabinet heater makes this unit ideal for perimeter heating and applications in public buildings, offices, hospitals and schools. The GXY cabinet is fabricated of heavy 18 gauge steel. The top panel provides structural rigidity essential for an exposed unit. GXY units have a removable, one-piece 16ga front panel for easy access to all internal components. Standard GXY units are provided with a durable powder-coated paint finish.



#### Vertical Sloped Top Cabinet (GSY) 200 CFM to 1200 CFM

The Vertical Sloped Top Cabinet (GSY) cabinet heater is designed for applications in public buildings, offices, schools and hospitals where it is necessary to prevent books and other items from being placed over the discharge grilles on the top panel. The GSY cabinet is fabricated of heavy 18 gauge steel. The 25-degree, sloped, top panel provides structural rigidity essential for an exposed unit. GSY units have a removable, one-piece 16ga front panel for easy access to all internal components. Standard GSY units are provided with a durable powder-coated paint finish.



## Features and Benefits

### Application Fit

- Several cabinet types allow for a multitude of room layouts.
  - The vertical flat top cabinet units (GXY) are ideal for perimeter heating, ideally placed under a window to mitigate the effects of heat losses or gains through the glazing.
  - The vertical sloped top cabinet units (GSY) discourages the placement of objects on the supply grille, blocking airflow, which could potentially result in performance issues.
  - The vertical hideaway version of the above units (GHY) is tailored to recess in a wall or continuous cabinetry to meet architectural needs.

### Design Flexibility

- Standard hydronic heat coils or electric heat only systems are available to match the space heating loads.
- 85 control board controls offers enhanced controls solutions with capability for connectivity to build BAS
- Optional finishes and colors are available on GXY/ GSY models, allowing the unit to blend in with any decor.
- Optional back panel provides an aesthetic cover for units that are visible from the building exterior, which are not completely covered by a wall or other architecture.
- Special cabinetry can be designed for jobs where unique cabinet dimensions are required, most often found on renovation projects.
- Optional airflow configuration (front supply) to enhance performance, given certain design limitations.
- Wide variety of valve package options (hot water coils only) to meet desired controls specifications; factory preassembled and shipped loose for field installation.
- Variety of insulation materials to address IAQ concerns.

- Product integrated into IEC's computer rating program for quick performance calculations to aid in unit selection & quoting.

### Ease of Installation

- Preassembled valve packages are available, to reduce field piping performed at the jobsite.
- Optional unit mounted controls, service switches and fusing minimize on-site electrical work.
- Units are tagged at the factory for ease of identification on the jobsite.
- Custom cabinetry facilitates installations by:
  - Deeper units allow the piping to run along the wall minimizing piping work and providing an insulated plenum that eliminates outside air transitions on renovation jobs.
  - Wider units allow for same end piping and electrical connections to minimize floor penetrations and eliminate the need for filler cabinetry.

### Ease of Service

- All commonly serviced components are accessible by simply removing the front panel.
- Filters can be easily replaced without tools or removing the front panels of exposed units.
- Slide-out blower assembly for maintenance convenience.

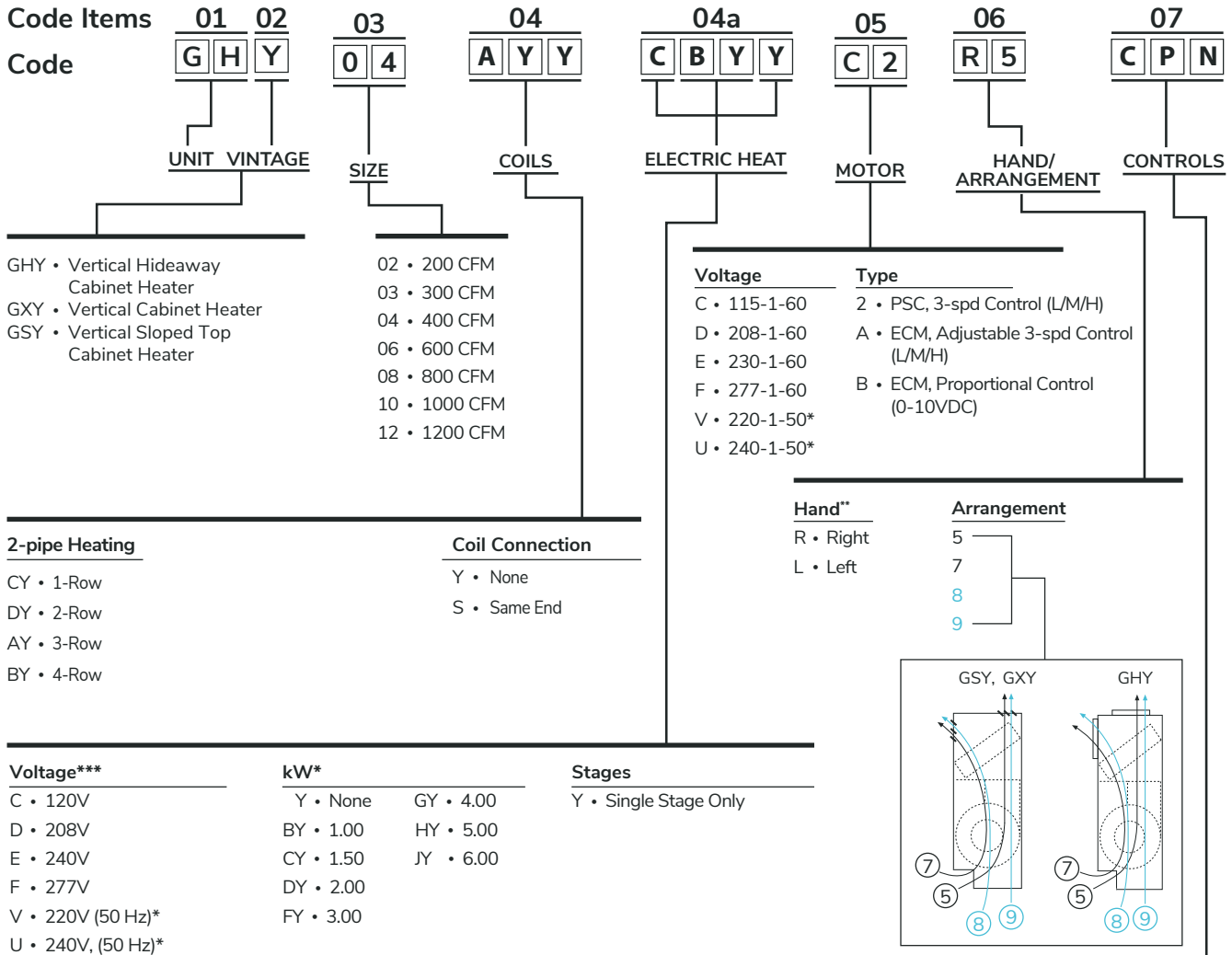
### Quality and Safety

- Rigorous multi-point inspection at the factory for trouble-free start-up.
- ETL listed for safety compliance to UL 1995, US & Canada.
- All hydronic coils are pressure tested to 350 psig.

# Cabinet Heater G\*Y Series

## TECHNICAL CATALOG

### Unit Model Key



| Voltage           | System                                 | Thermostat  |
|-------------------|--|---|
| B • 24V           | <b>Manual Fan Operation</b>            | A • Basic Electronic Wall Series, 155, Vertical   |
| C • 120V          | A1 • Standard Unit Mount (Switch Only) | B • Basic Electronic Wall Series, 155, Horizontal   |
| D • 208V          | A2 • Standard Wall Mount (Switch Only) | C • Basic Series, 156, Unit Mounted   |
| E • 240V          | <b>Phase</b>                           | P • Basic 24V Digital, 7-Day Programmable   |
| F • 277V          | 1 • 1-Phase                            | N • Basic 24V Digital, Non-Programmable   |
| V • 220V (50 Hz)* |  | F • Premium 24V Digital, 7-Day Programmable/<br>BACnet with Proportional Fan/ Valves Option |
| U • 240V (50 Hz)* |  | G • Premium 24V Digital BACnet with<br>Proportional Fan/ Valves Option                      |
|                   |  | W • Venture 24V Wi-Fi Programmable  |

### Rating and Listings

#### C-ETL-US Listing

IEC's Vertical G\*Y Series units are listed by ETL. The C-ETL-US listing signifies that IEC's units have been examined by ETL and are in compliance with both the U.S. and Canadian applicable standards.



#### PSC Motor Standard Ratings

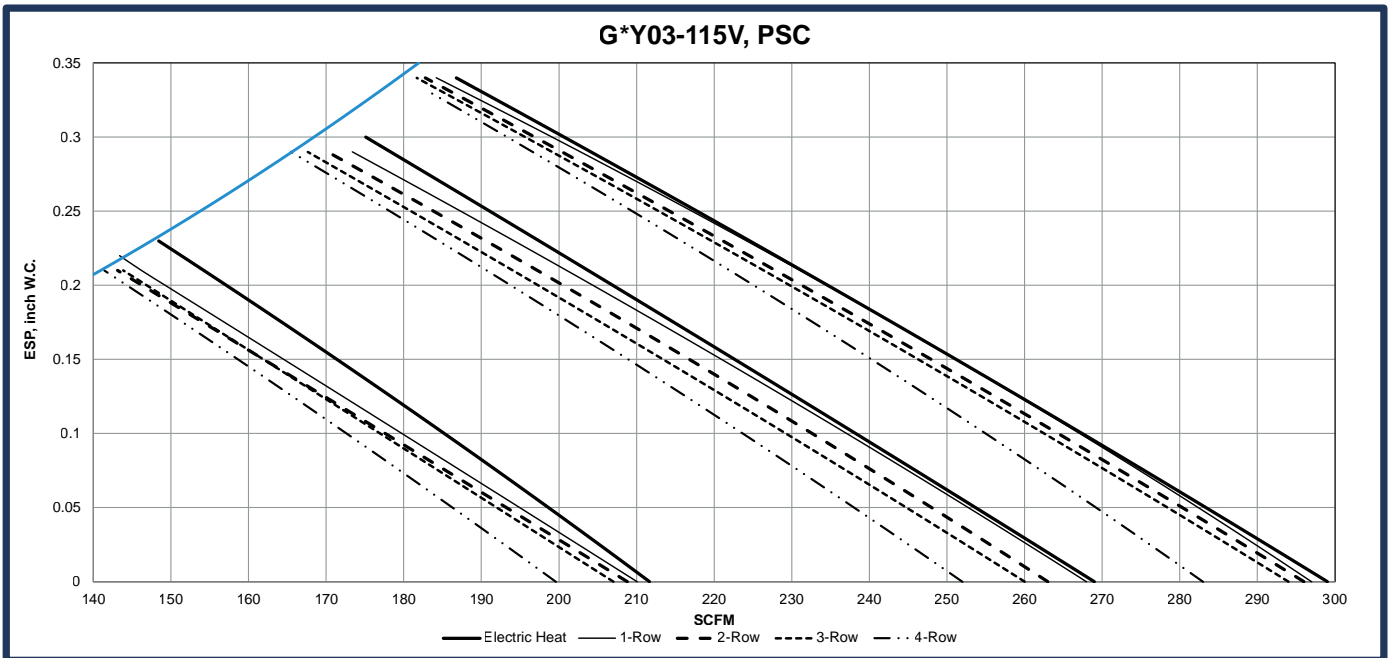
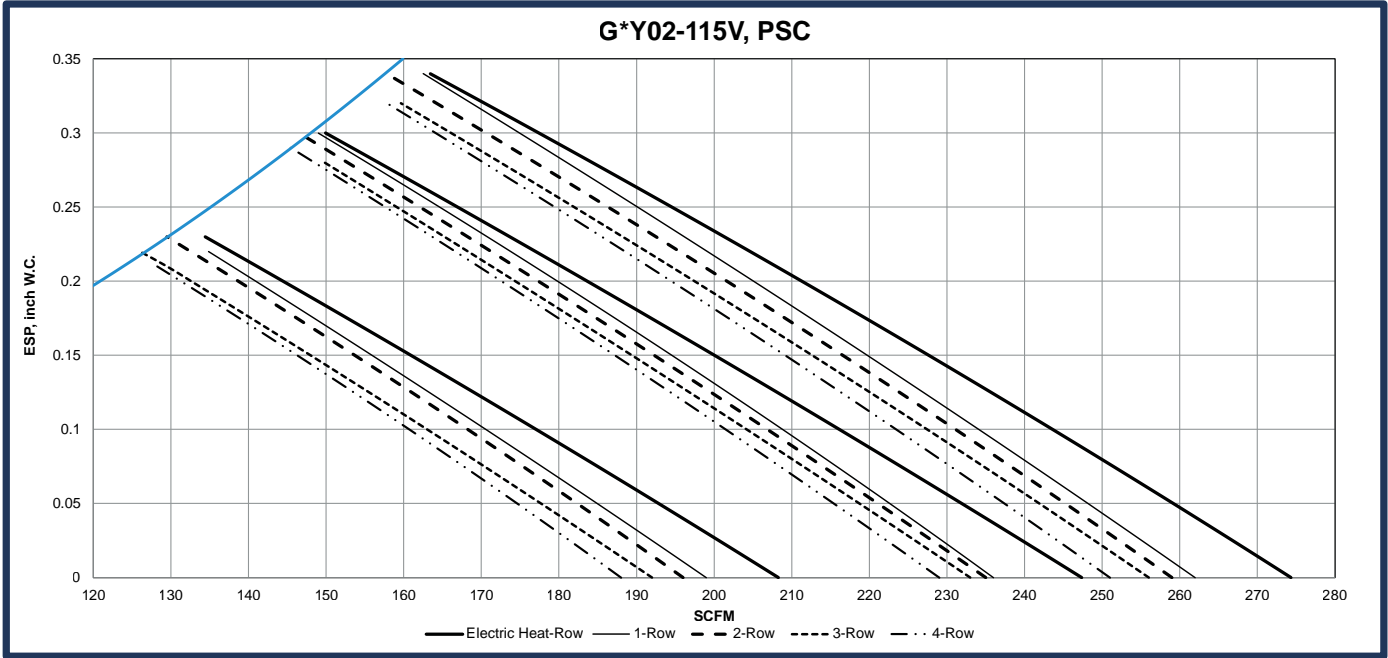
| Size | Coil Rows | Air Flow Rating (CFM) | Total Cap. (Btuh) | GPM | Water Pressure Drop (ft. water) | Power Input (Watts) |
|------|-----------|-----------------------|-------------------|-----|---------------------------------|---------------------|
| 2    | 1         | 300                   | 9200              | 0.6 | 0.3                             | 95                  |
| 2    | 2         | 295                   | 16500             | 1.1 | 1.6                             | 93                  |
| 2    | 3         | 280                   | 20900             | 1.4 | 3.6                             | 90                  |
| 2    | 4         | 270                   | 23000             | 1.5 | 5.5                             | 85                  |
| 3    | 1         | 330                   | 11100             | 0.7 | 0.5                             | 85                  |
| 3    | 2         | 300                   | 18500             | 1.3 | 2.3                             | 80                  |
| 3    | 3         | 280                   | 22000             | 1.5 | 4.4                             | 80                  |
| 3    | 4         | 255                   | 22900             | 1.6 | 6.3                             | 80                  |
| 4    | 1         | 465                   | 15700             | 1   | 1                               | 130                 |
| 4    | 2         | 430                   | 26500             | 1.8 | 4.6                             | 125                 |
| 4    | 3         | 410                   | 32000             | 2.2 | 9.2                             | 120                 |
| 4    | 4         | 390                   | 34000             | 2.3 | 13.5                            | 115                 |
| 6    | 1         | 685                   | 23300             | 1.6 | 2.2                             | 175                 |
| 6    | 2         | 660                   | 38000             | 2.6 | 1.6                             | 170                 |
| 6    | 3         | 610                   | 46000             | 3.1 | 3.4                             | 165                 |
| 6    | 4         | 570                   | 49000             | 3.3 | 5.0                             | 160                 |
| 8    | 1         | 695                   | 25500             | 1.7 | 2.7                             | 160                 |
| 8    | 2         | 665                   | 41600             | 2.8 | 2.3                             | 165                 |
| 8    | 3         | 660                   | 51500             | 3.5 | 4.6                             | 165                 |
| 8    | 4         | 655                   | 57600             | 3.9 | 7.8                             | 175                 |
| 10   | 1         | 940                   | 35400             | 2.4 | 5.7                             | 255                 |
| 10   | 2         | 925                   | 58500             | 4   | 5                               | 260                 |
| 10   | 3         | 925                   | 70000             | 4.7 | 1.5                             | 265                 |
| 10   | 4         | 925                   | 80000             | 5.3 | 2.6                             | 270                 |
| 12   | 1         | 1120                  | 42044             | 2.8 | 8.3                             | 360                 |
| 12   | 2         | 1140                  | 71500             | 4.8 | 7.6                             | 350                 |
| 12   | 3         | 1125                  | 85000             | 5.7 | 2.3                             | 335                 |
| 12   | 4         | 1115                  | 96500             | 6.6 | 4.1                             | 325                 |

#### EC Motor Standard Ratings

| Size | Coil Rows | Air Flow Rating (CFM) | Total Cap. (Btuh) | GPM | Water Pressure Drop (ft. water) | Power Input (Watts) |
|------|-----------|-----------------------|-------------------|-----|---------------------------------|---------------------|
| 2    | 1         | 300                   | 9200              | 0.6 | 0.3                             | 80                  |
| 2    | 2         | 290                   | 16600             | 1.1 | 1.6                             | 80                  |
| 2    | 3         | 280                   | 20600             | 1.4 | 3.5                             | 80                  |
| 2    | 4         | 270                   | 22700             | 1.5 | 5.5                             | 80                  |
| 3    | 1         | 320                   | 10900             | 0.7 | 0.5                             | 62                  |
| 3    | 2         | 310                   | 19000             | 1.3 | 2.3                             | 62                  |
| 3    | 3         | 290                   | 22700             | 1.5 | 4.6                             | 62                  |
| 3    | 4         | 275                   | 24300             | 1.6 | 6.9                             | 62                  |
| 4    | 1         | 460                   | 15500             | 1   | 0.9                             | 105                 |
| 4    | 2         | 445                   | 27000             | 1.8 | 4.7                             | 105                 |
| 4    | 3         | 430                   | 32900             | 2.2 | 9.6                             | 105                 |
| 4    | 4         | 410                   | 35700             | 2.4 | 14.7                            | 105                 |
| 6    | 1         | 670                   | 23000             | 1.6 | 2.2                             | 133                 |
| 6    | 2         | 650                   | 37800             | 2.6 | 1.6                             | 133                 |
| 6    | 3         | 625                   | 46600             | 3.2 | 3.4                             | 133                 |
| 6    | 4         | 600                   | 51100             | 3.5 | 5.3                             | 133                 |
| 8    | 1         | 745                   | 26600             | 1.8 | 2.9                             | 225                 |
| 8    | 2         | 735                   | 44700             | 3.0 | 2.6                             | 220                 |
| 8    | 3         | 725                   | 55300             | 3.8 | 5.2                             | 210                 |
| 8    | 4         | 715                   | 61900             | 4.2 | 8.7                             | 195                 |
| 10   | 1         | 1010                  | 37000             | 2.5 | 6.1                             | 265                 |
| 10   | 2         | 1000                  | 62000             | 4.2 | 5.4                             | 260                 |
| 10   | 3         | 990                   | 74000             | 5   | 1.7                             | 250                 |
| 10   | 4         | 980                   | 83600             | 5.7 | 2.9                             | 240                 |
| 12   | 1         | 1270                  | 45400             | 3.1 | 9.4                             | 380                 |
| 12   | 2         | 1250                  | 76000             | 5.2 | 8.3                             | 375                 |
| 12   | 3         | 1210                  | 90000             | 6.1 | 2.6                             | 370                 |
| 12   | 4         | 1170                  | 100000            | 6.8 | 4.3                             | 370                 |

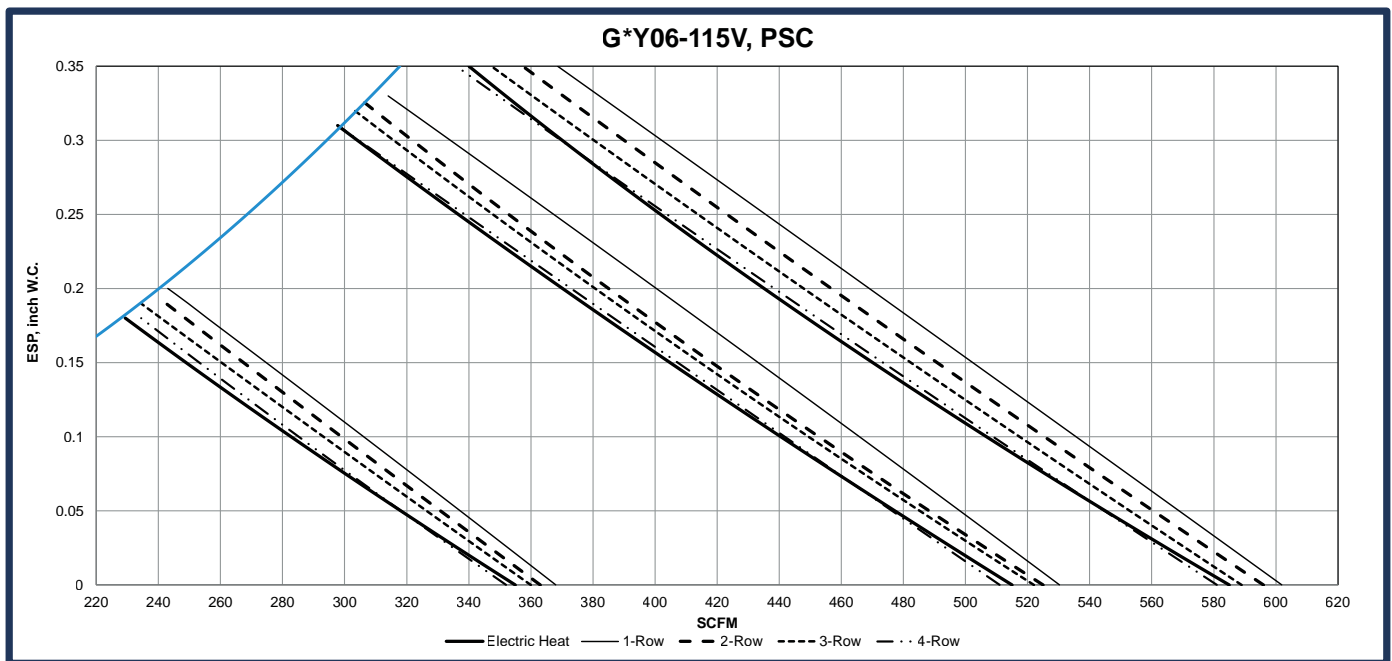
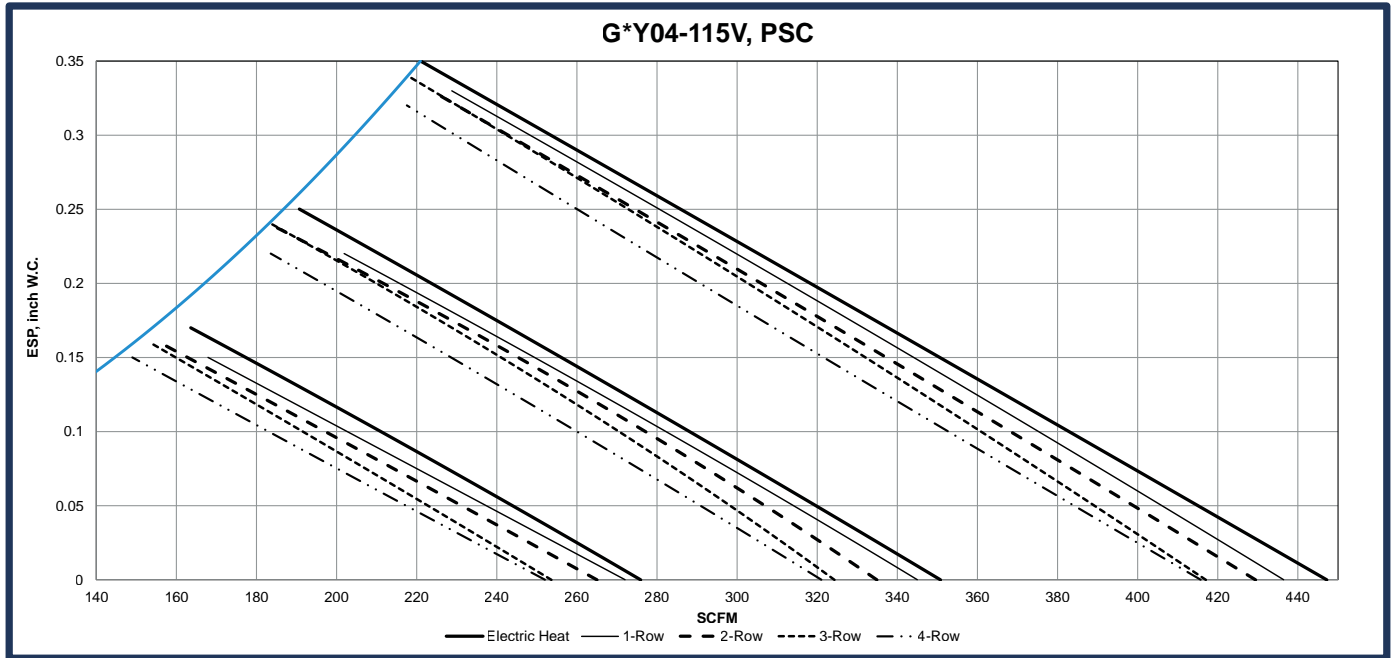
NOTES: 1. Ratings are based on 70° F DB, 180° F EWT, 30° F water temperature rise, high fan speed, motor voltage 115/1/60, and airflow under dry coil conditions.  
 2. For all application ratings, use IEC's computer selection program, the quick-selection ratings provided in this catalog, or contact your local IEC representative.

### Fan Performance Curves – PSC

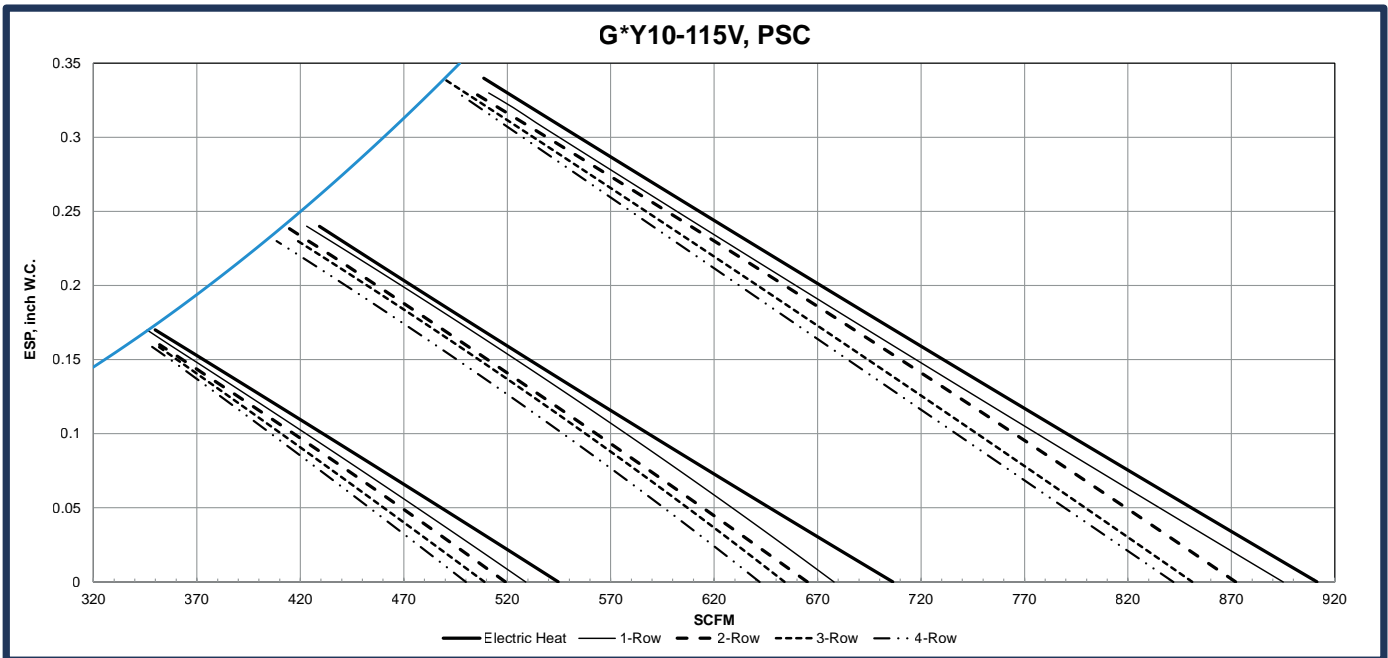
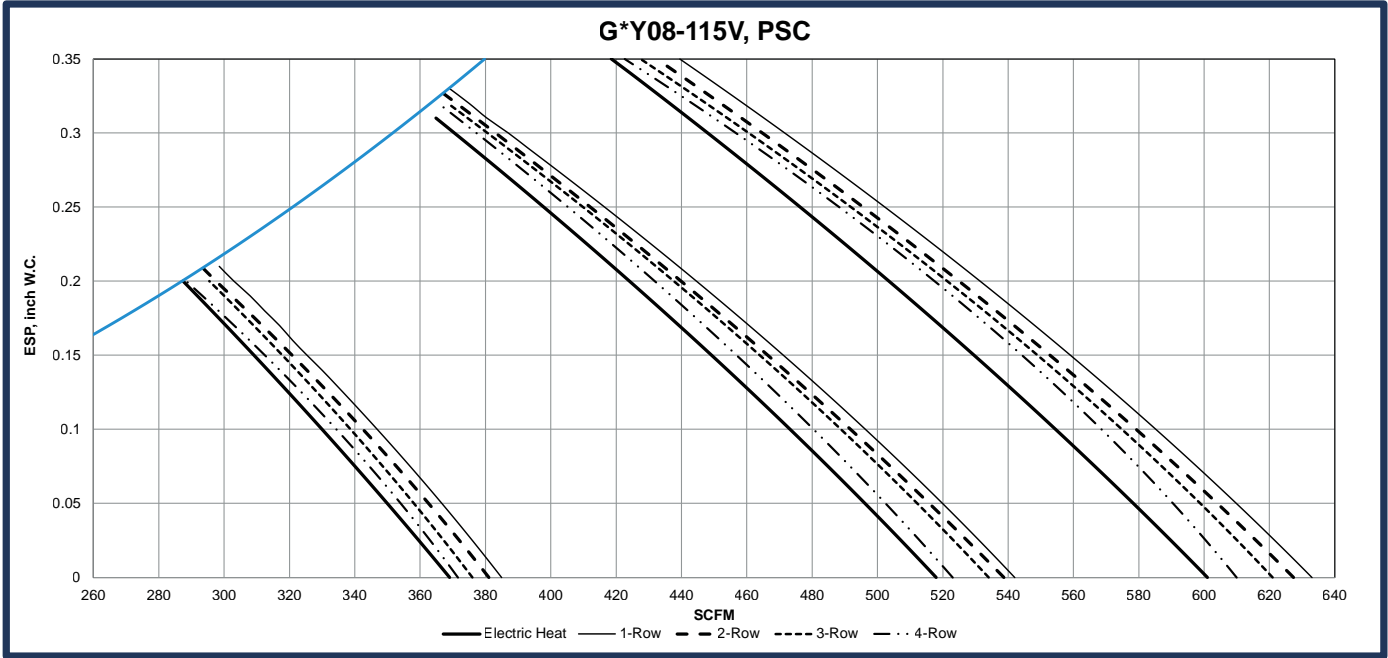




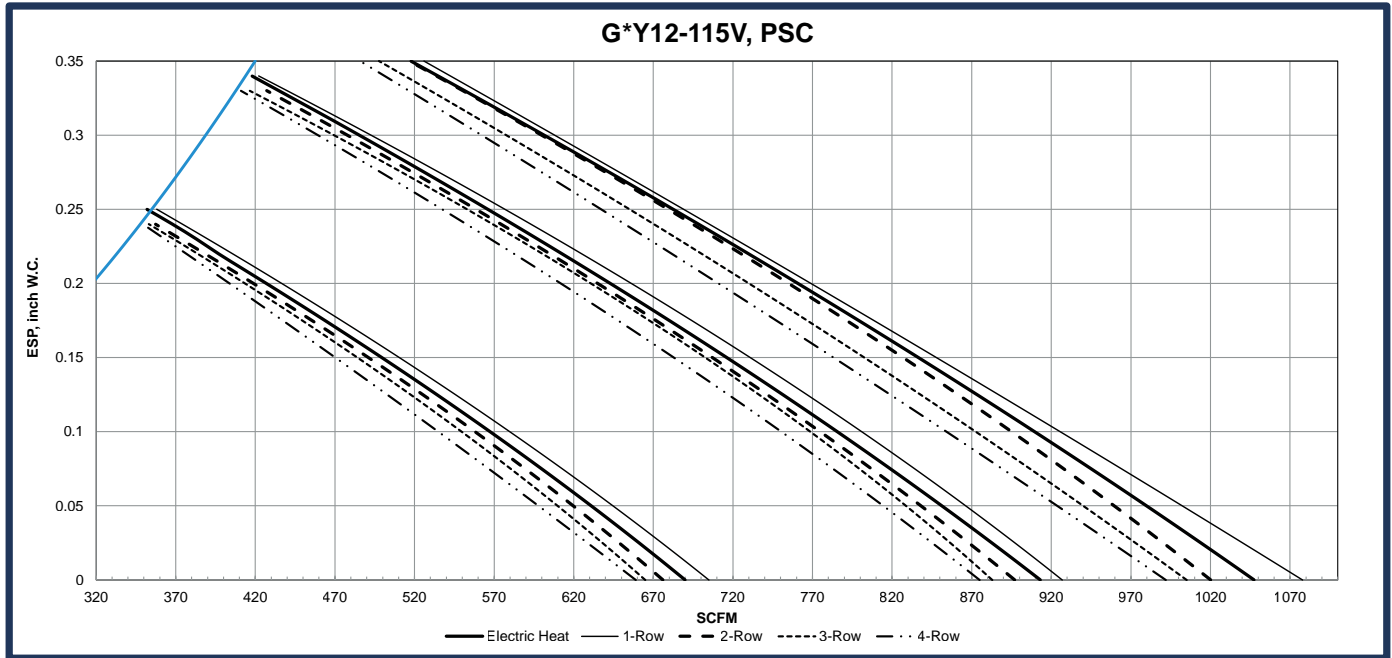
### Fan Performance Curves – PSC, Cont'd.



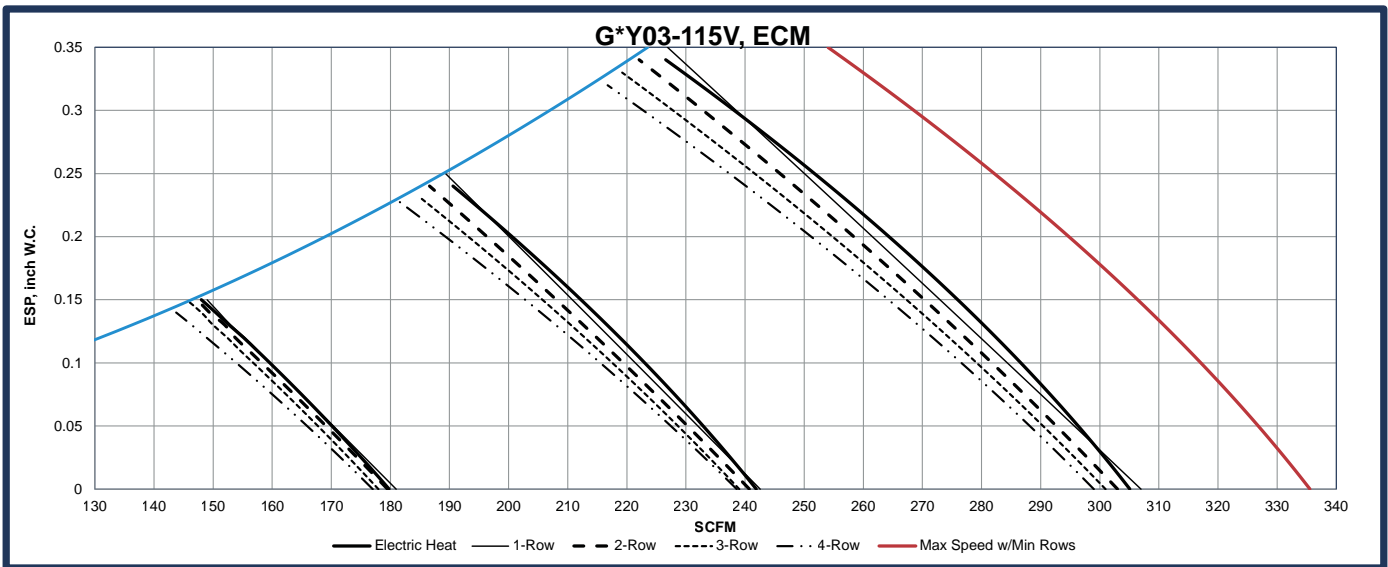
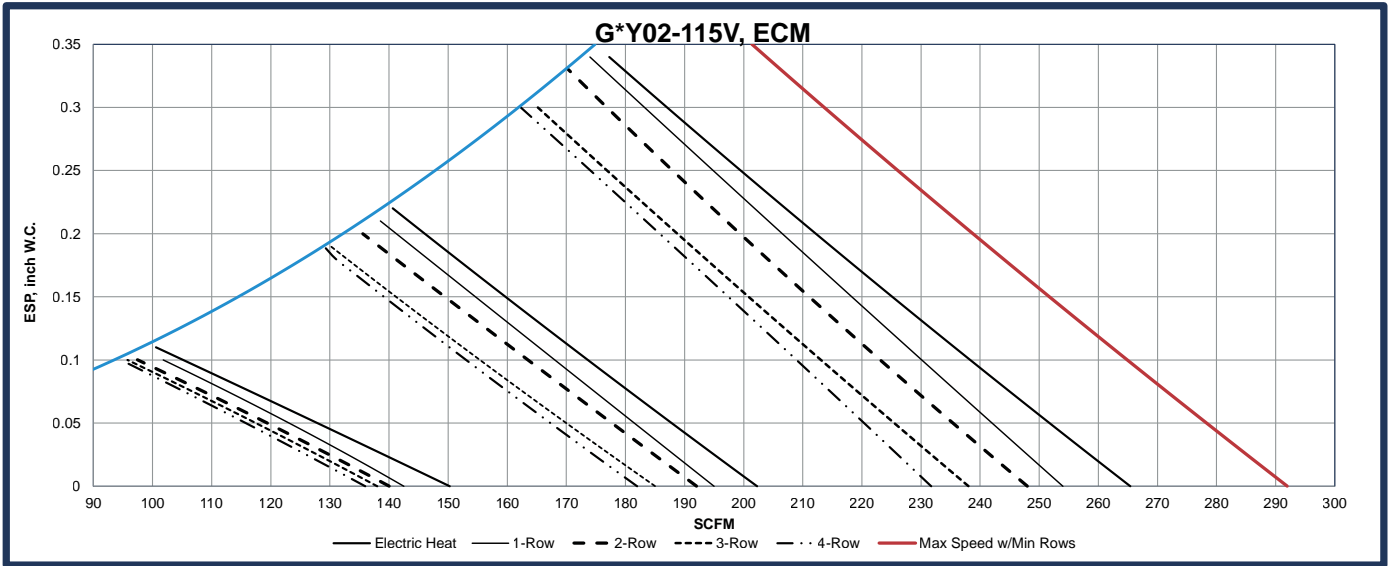
### Fan Performance Curves – PSC, Cont'd.



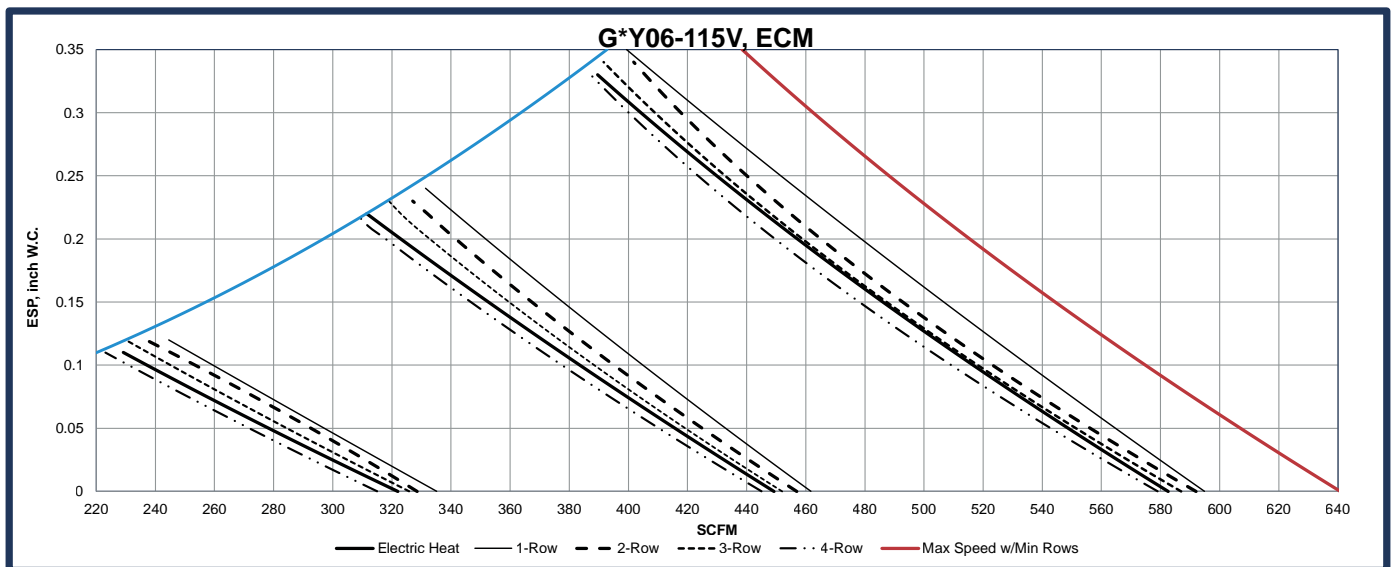
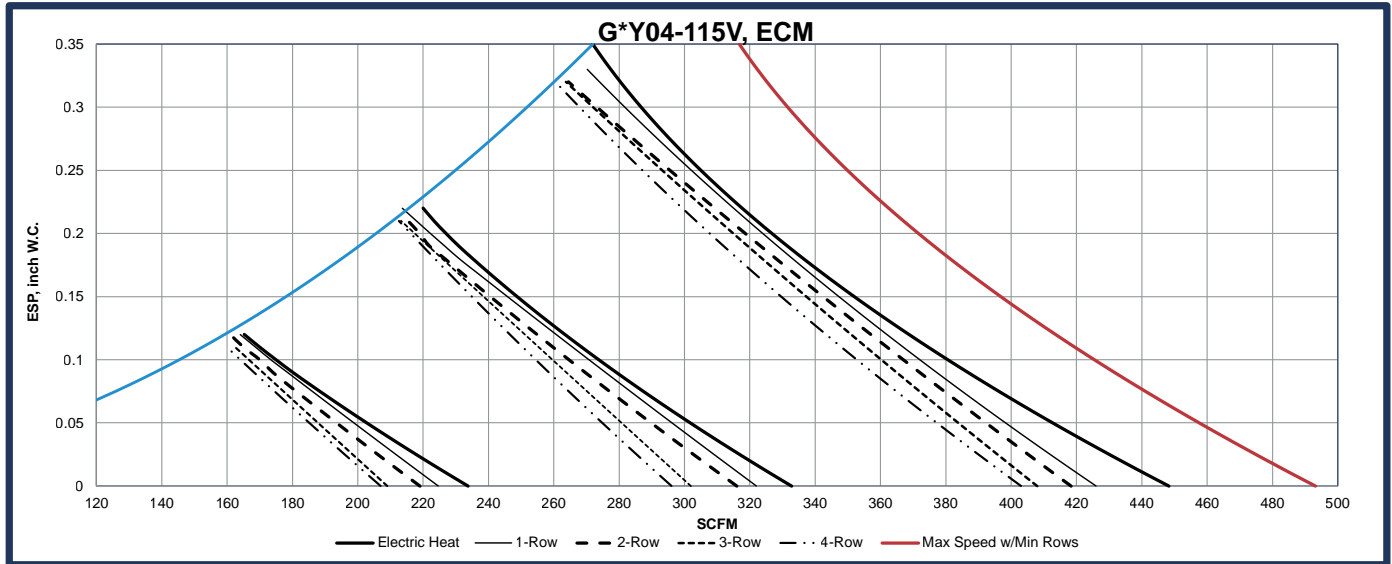
## Fan Performance Curves – PSC, Cont'd.



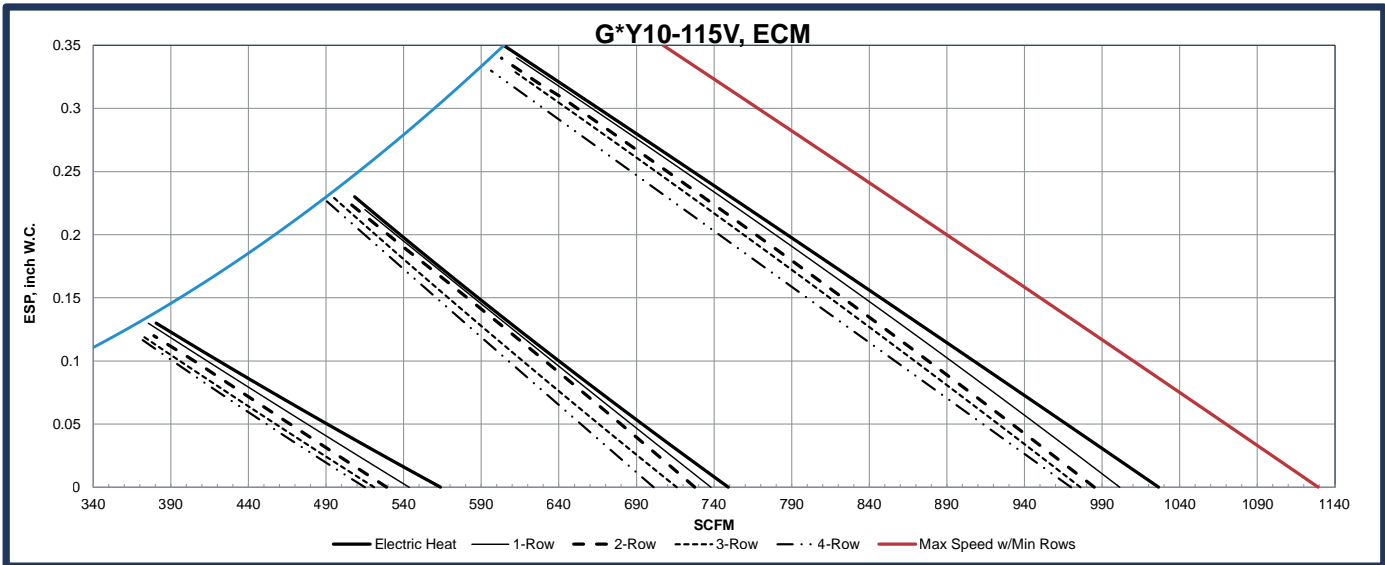
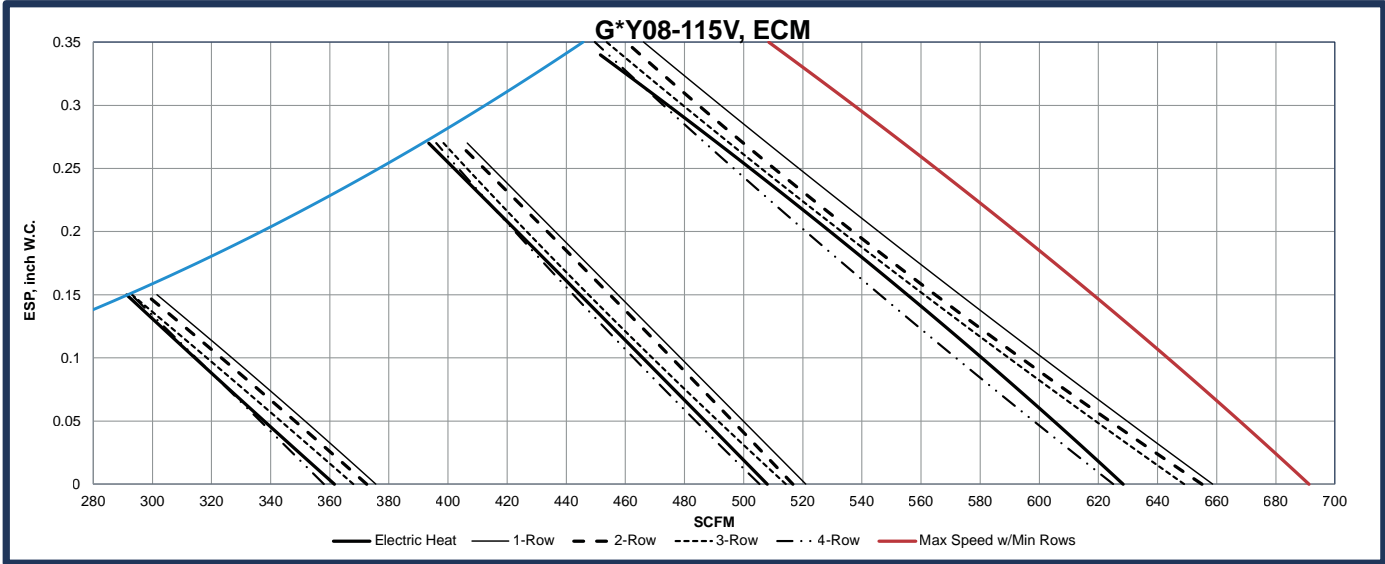
### Fan Performance Curves – ECM



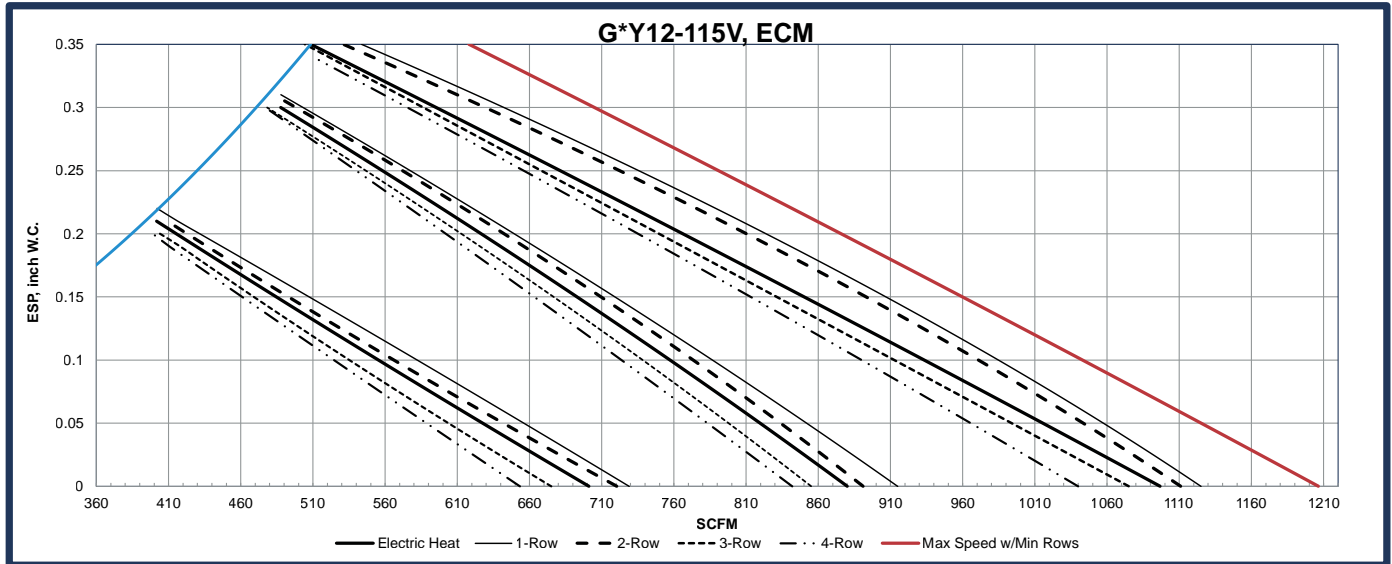
### Fan Performance Curves – ECM, Cont'd.



### Fan Performance Curves – ECM, Cont'd.



## Fan Performance Curves – ECM, Cont'd.



# Cabinet Heater G\*Y Series

## TECHNICAL CATALOG

### Motor Performance Data

#### Thermal Overload Protection

All split-capacitor motors furnished by IEC contain internal thermal-overload protection. The overload automatically resets when the temperature returns to a safe limit. Electronics Testing Laboratories, Inc. (ETL) approves the motor and thermal overload combination at locked rotor conditions only.

#### PSC Motor Performance Data

| Voltage                  | Fan Speed | Unit Size  | 02   | 03   | 04   | 06   | 08   | 10       | 12      |
|--------------------------|-----------|------------|------|------|------|------|------|----------|---------|
|                          |           | Nominal HP | 1/30 | 1/30 | 1/12 | 1/6  | 1/6  | (2) 1/12 | (2) 1/6 |
| 115V<br>60 Hz<br>1-Phase | High      | Amps       | 0.53 | 0.83 | 1.40 | 2.50 | 2.50 | 2.80     | 5.00    |
|                          |           | Watts      | 85   | 81   | 139  | 178  | 183  | 265      | 364     |
|                          | Medium    | Amps       | 0.31 | 0.48 | 0.70 | 1.30 | 1.30 | 1.30     | 2.50    |
|                          |           | Watts      | 59   | 59   | 78   | 134  | 141  | 175      | 282     |
|                          | Low       | Amps       | 0.27 | 0.33 | 0.47 | 0.57 | 0.61 | 0.40     | 1.25    |
|                          |           | Watts      | 45   | 46   | 52   | 77   | 72   | 131      | 174     |
| 208V<br>60 Hz<br>1-Phase | High      | Amps       | 0.48 | 0.48 | 0.69 | 1.00 | 1.30 | 1.38     | 2.60    |
|                          |           | Watts      | 89   | 89   | 111  | 141  | 145  | 240      | 287     |
|                          | Medium    | Amps       | 0.29 | 0.29 | 0.40 | 0.59 | 0.69 | 0.80     | 1.15    |
|                          |           | Watts      | 67   | 67   | 83   | 92   | 95   | 182      | 201     |
|                          | Low       | Amps       | 0.14 | 0.14 | 0.22 | 0.47 | 0.47 | 0.45     | 0.84    |
|                          |           | Watts      | 43   | 44   | 47   | 52   | 51   | 115      | 127     |
| 230V<br>60 Hz<br>1-Phase | High      | Amps       | 0.48 | 0.48 | 0.69 | 1.00 | 1.30 | 1.38     | 2.60    |
|                          |           | Watts      | 102  | 104  | 127  | 149  | 159  | 269      | 316     |
|                          | Medium    | Amps       | 0.31 | 0.31 | 0.43 | 0.71 | 0.71 | 0.85     | 1.40    |
|                          |           | Watts      | 77   | 78   | 96   | 102  | 108  | 212      | 226     |
|                          | Low       | Amps       | 0.15 | 0.15 | 0.24 | 0.50 | 0.50 | 0.50     | 1.00    |
|                          |           | Watts      | 50   | 50   | 56   | 62   | 64   | 137      | 150     |
| 277V<br>60 Hz<br>1-Phase | High      | Amps       | 0.35 | 0.35 | 0.69 | 0.91 | 0.91 | 1.38     | 1.82    |
|                          |           | Watts      | 91   | 90   | 126  | 170  | 176  | 286      | 374     |
|                          | Medium    | Amps       | 0.26 | 0.26 | 0.44 | 0.57 | 0.58 | 0.82     | 1.10    |
|                          |           | Watts      | 71   | 88   | 115  | 121  | 213  | 273      | 374     |
|                          | Low       | Amps       | 0.16 | 0.17 | 0.25 | 0.34 | 0.35 | 0.45     | 0.65    |
|                          |           | Watts      | 41   | 42   | 58   | 96   | 100  | 153      | 232     |

NOTES: 1. Total unit motor Amps and Watts are shown.  
2. Consult factory for 50 Hz applications.

#### EC Motor Performance Data — Vertical G\*Y, Standard Performance

| Voltage  | Unit Size           | G**02 | G**03 | G**04 | G**06 | G**08 | G**10    | G**12    |
|----------|---------------------|-------|-------|-------|-------|-------|----------|----------|
|          | Nominal HP          | 1/7   | 1/7   | 1/6   | 1/6   | 1/6   | (2) 1/6  | (2) 1/6  |
| 120V     | Rated Motor FLA     | 2.3   | 2.3   | 2.4   | 2.4   | 2.4   | 2.4, 2.4 | 2.4, 2.4 |
|          | Max Program Current | 1.2   | 1.4   | 1.5   | 2.2   | 2.4   | 2.0, 2.0 | 2.4, 2.4 |
| 208-240V | Rated Motor FLA     | 1.4   | 1.4   | 1.6   | 1.6   | 1.6   | 1.6, 1.6 | 1.6, 1.6 |
|          | Max Program Current | 0.7   | 0.9   | 21.0  | 1.4   | 1.6   | 1.3, 1.3 | 1.6, 1.6 |
| 277V     | Rated Motor FLA     | 1.2   | 1.2   | 1.3   | 1.3   | 1.3   | 1.3, 1.3 | 1.3, 1.3 |
|          | Max Program Current | 0.6   | 0.7   | 0.8   | 1.2   | 1.3   | 1.1, 1.1 | 1.3, 1.3 |



## Sound Power Data

### GHY, GXY, GSY Sound Power Data

| UNIT SIZE | RATING          | FAN SPEED | CFM  | SOUND POWER LEVEL, L <sub>w</sub> (dB reference one picowatt) |        |        |       |       |       |       | A-wgt (dBA) |
|-----------|-----------------|-----------|------|---|--------|--------|-------|-------|-------|-------|-------------|
|           |                 |           |      | 125 Hz  | 250 Hz | 500 Hz | 1K Hz | 2K Hz | 4K Hz | 8K Hz |             |
| 2         | CASING RADIATED | H         | 280  | 62  | 64     | 59     | 55    | 47    | 44    | 37    | 60          |
|           |                 | M         | 255  | 61  | 62     | 57     | 52    | 44    | 40    | 34    | 58          |
|           |                 | L         | 205  | 55  | 57     | 52     | 46    | 38    | 33    | 31    | 53          |
| 3         | CASING RADIATED | H         | 300  | 65  | 64     | 59     | 55    | 47    | 44    | 38    | 61          |
|           |                 | M         | 270  | 63  | 62     | 57     | 52    | 45    | 41    | 35    | 58          |
|           |                 | L         | 215  | 59  | 56     | 51     | 45    | 37    | 33    | 31    | 52          |
| 4         | CASING RADIATED | H         | 485  | 65  | 70     | 62     | 57    | 50    | 46    | 39    | 65          |
|           |                 | M         | 370  | 60  | 63     | 56     | 50    | 42    | 37    | 32    | 58          |
|           |                 | L         | 290  | 58  | 56     | 49     | 43    | 36    | 28    | 30    | 51          |
| 6         | CASING RADIATED | H         | 660  | 66  | 69     | 63     | 59    | 52    | 48    | 41    | 65          |
|           |                 | M         | 595  | 65  | 67     | 61     | 56    | 50    | 45    | 41    | 63          |
|           |                 | L         | 380  | 58  | 56     | 51     | 46    | 39    | 30    | 31    | 53          |
| 8         | CASING RADIATED | H         | 655  | 67  | 70     | 64     | 61    | 52    | 49    | 43    | 66          |
|           |                 | M         | 585  | 66  | 67     | 61     | 58    | 49    | 45    | 39    | 63          |
|           |                 | L         | 370  | 57  | 56     | 52     | 44    | 35    | 29    | 31    | 52          |
| 10        | CASING RADIATED | H         | 865  | 69  | 72     | 66     | 60    | 54    | 50    | 43    | 67          |
|           |                 | M         | 695  | 64  | 66     | 59     | 53    | 46    | 41    | 34    | 61          |
|           |                 | L         | 560  | 61  | 60     | 53     | 47    | 39    | 32    | 31    | 55          |
| 12        | CASING RADIATED | H         | 1080 | 71  | 74     | 68     | 65    | 56    | 53    | 46    | 70          |
|           |                 | M         | 1020 | 71  | 72     | 66     | 62    | 54    | 50    | 43    | 68          |
|           |                 | L         | 715  | 65  | 63     | 58     | 50    | 43    | 37    | 32    | 59          |

- NOTES:**
1. Unit Test Configuration: Front Return/ Bottom Return/ Stamped Louver Top Supply, 3 Row 1/2" 10 FPI Coil, 115VAC PSC Motor, 1/2" dual density fiberglass insulation.
  2. Casing Radiated Testing per AHRI 350-2008: 4.2.2.3 Casing radiated with free inlet, Sound Rating of Ducted Air Moving and Conditioning Equipment.
  3. Sound power data is expressed in decibels, dB RE: 1 x 10<sup>-12</sup> w (picowatts).

## Electric Heating

Electric heaters are available for the following applications.

### Total Electric Heat

Total electric heat eliminates the requirement for a boiler. Individual room controls can be supplied for either manual or automatic changeover.

### Construction

The heater coils of high-grade resistance wire are supported by ceramic insulators on plated steel brackets. These heat elements are suspended directly in front of the fan outlet. An internal heat shield protects the internal heater from any debris that might fall through the top supply. High limit thermal cutouts protect the heater in the event of air failure. There are many special applications and control sequences for electric heat. For special applications, please consult the factory.

### Electric Heater Selection

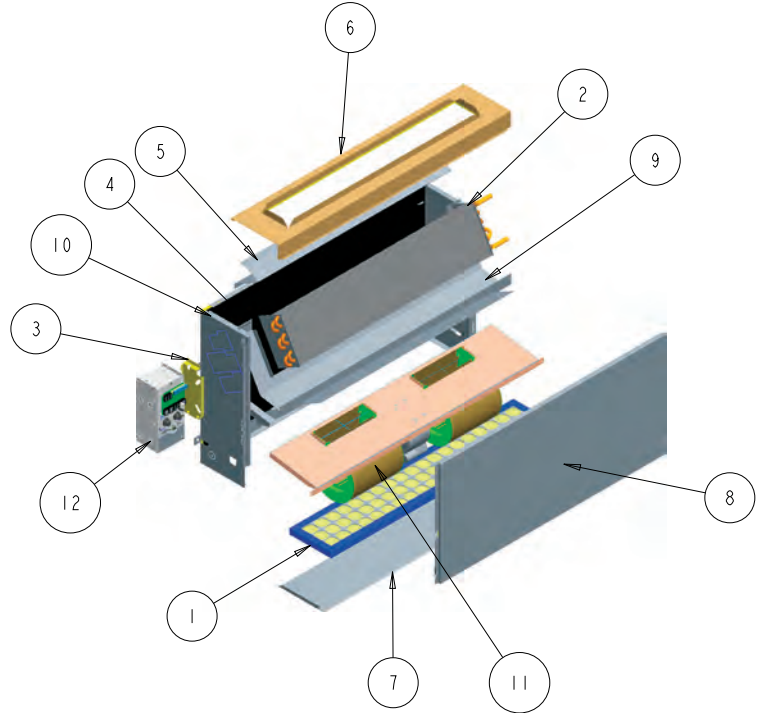
| Voltage                          | kW  | Unit Size |    |    |    |    |    |    |
|----------------------------------|-----|-----------|----|----|----|----|----|----|
|                                  |     | 02        | 03 | 04 | 06 | 08 | 10 | 12 |
| 120V                             | 1.0 | •         | •  | •  | •  | -  | -  | -  |
|                                  | 1.5 | -         | •  | •  | •  | -  | -  | -  |
|                                  | 2.0 | -         | -  | •  | •  | •  | -  | -  |
|                                  | 3.0 | -         | -  | -  | •  | •  | •  | •  |
| 208V<br>240V<br>220/240V<br>50Hz | 1.0 | •         | •  | •  | •  | -  | -  | -  |
|                                  | 1.5 | -         | •  | •  | •  | -  | -  | -  |
|                                  | 2.0 | -         | -  | •  | •  | •  | -  | -  |
|                                  | 3.0 | -         | -  | -  | •  | •  | •  | •  |
|                                  | 4.0 | -         | -  | -  | -  | •  | •  | •  |
| 277V                             | 1.0 | •         | •  | •  | •  | -  | -  | -  |
|                                  | 1.5 | -         | •  | •  | •  | -  | -  | -  |
|                                  | 2.0 | -         | -  | •  | •  | •  | -  | -  |
|                                  | 3.0 | -         | -  | -  | •  | •  | •  | •  |
|                                  | 4.0 | -         | -  | -  | -  | •  | •  | •  |
|                                  | 5.0 | -         | -  | -  | -  | -  | •  | •  |
| 6.0                              | -   | -         | -  | -  | -  | -  | •  |    |

- NOTES: 1. All heaters are single stage and single phase.  
 2. Electric heater available with top or front discharge.  
 3. Electric Heating Capacities (BTUH) = Heater kW x 3413.  
 4. Electric Heater Amperage = (Heater kW x 1000)/Applied Voltage.

### CUH Exploded View – GHY

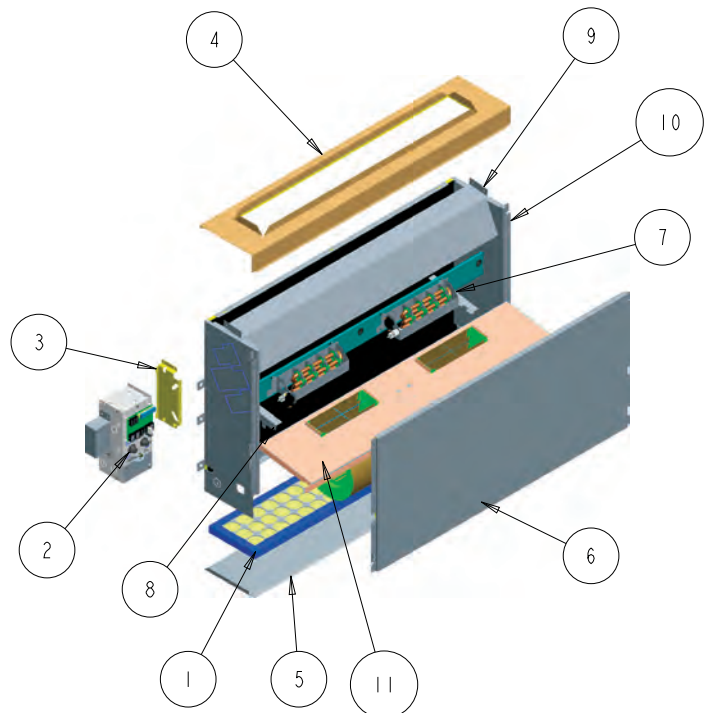
#### Vertical Hideaway Cabinet Heater, Hydronic Heat, with Top Supply

| ITEM | DESCRIPTION                   |
|------|-------------------------------|
| 1    | 1" FILTER                     |
| 2    | COIL PKG 2/0 F*Y06 RH         |
| 3    | CTRL BOX 85 BRKT CP*/HP*      |
| 4    | COIL BRKT SUP ASSY G*Y06 GALV |
| 5    | TOP COIL BAF G*Y06 GALV       |
| 6    | TOP PNL DUCT GHY06            |
| 7    | BASE PL F*C 06                |
| 8    | FRNT PNL ASSY CHY06           |
| 9    | BLOWER DECK RAIL CUH          |
| 10   | CHASSIS G*Y ASSY 06           |
| 11   | MOT BLO DECK ASSY G*Y06       |
| 12   | CNTL PKG                      |



#### Vertical Hideaway Cabinet Heater, Electric Heat, with Top Supply

| ITEM | DESCRIPTION                  |
|------|------------------------------|
| 1    | 1" FILTER                    |
| 2    | CNTL PKG                     |
| 3    | CTRL BOX 85 BRKT CP*/HP*     |
| 4    | TOP PNL DUCT GHY06           |
| 5    | BASE PL F*C 06               |
| 6    | FRNT PNL ASSY CHY06          |
| 7    | HTR ASSY F*C 06 277V 3KW     |
| 8    | BLOWER DECK RAIL CUH         |
| 9    | HEAT SHIELD G*Y06 PERFORATED |
| 10   | CHASSIS G*Y ASSY 06          |
| 11   | MOT BLO DECK ASSY G*Y06      |



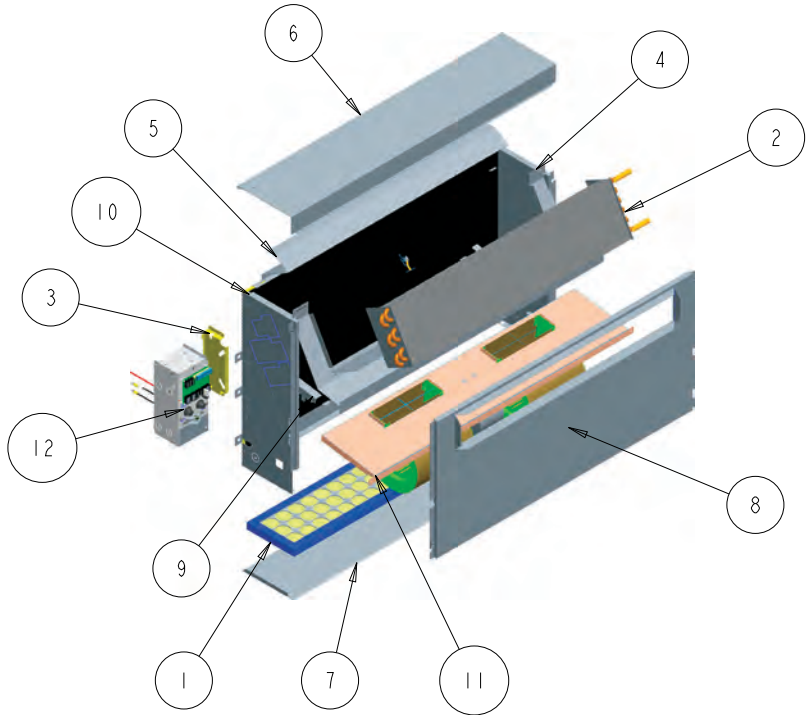
# Cabinet Heater G\*Y Series

## TECHNICAL CATALOG

### CUH Exploded View – GHY, Cont'd.

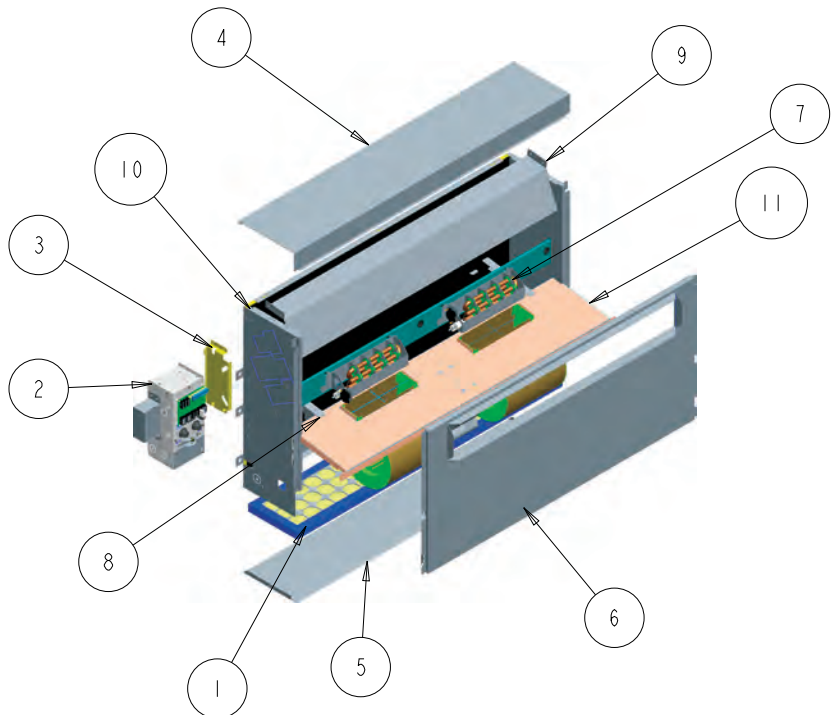
#### Vertical Hideaway Cabinet Heater, Hydronic Heat, with Front Supply

| ITEM | DESCRIPTION                   |
|------|-------------------------------|
| 1    | 1" FILTER                     |
| 2    | COIL PKG 2/O F*Y06 RH         |
| 3    | CTRL BOX 85 BRKT CP*/HP*      |
| 4    | COIL BRKT SUP ASSY G*Y06 GALV |
| 5    | TOP COIL BAF G*Y06 GALV       |
| 6    | TOP PNL CHY06                 |
| 7    | BASE PL F*C 06                |
| 8    | FRNT PNL ASSY CHY06 DUCT      |
| 9    | BLOWER DECK RAIL CUH          |
| 10   | CHASSIS G*Y ASSY 06           |
| 11   | MOT BLO DECK ASSY G*Y06       |
| 12   | CNTL PKG                      |



#### Vertical Hideaway Cabinet Heater, Electric Heat, with Front Supply

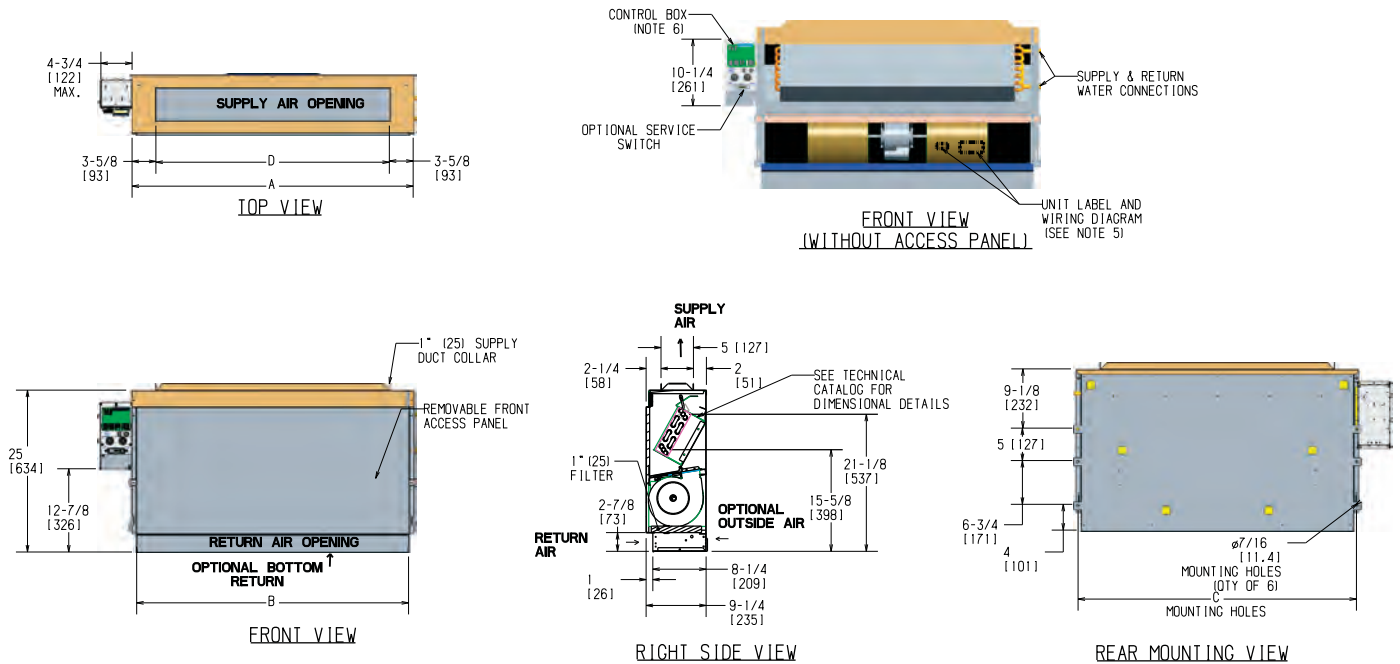
| ITEM | DESCRIPTION                  |
|------|------------------------------|
| 1    | 1" FILTER                    |
| 2    | CNTL PKG                     |
| 3    | CTRL BOX 85 BRKT CP*/HP*     |
| 4    | TOP PNL CHY06                |
| 5    | BASE PL F*C 06               |
| 6    | FRNT PNL ASSY CHY06 DUCT     |
| 7    | HTR ASSY F*C 06 277V 3KW     |
| 8    | BLOWER DECK RAIL CUH         |
| 9    | HEAT SHIELD G*Y06 PERFORATED |
| 10   | CHASSIS G*Y ASSY 06          |
| 11   | MOT BLO DECK ASSY G*Y06      |



### Physical Data – GHY

#### GHY – Vertical Hideaway Cabinet Heater, Hydronic Heat, with Top Supply

Drawing is provided for reference only. Dimensions may vary with options ordered. Consult IEC website for submittal drawings.



| Unit Model | Dimensions – Inches (Millimeters) |           |           |           | Quantity/Unit |       | Unit Weight |
|------------|-----------------------------------|-----------|-----------|-----------|---------------|-------|-------------|
|            | A                                 | B         | C         | D         | Blower        | Motor |             |
| GHY02      | 23-1/2 (597)                      | 22 (559)  | 23 (584)  | 16 (406)  | 1             | 1     | 42          |
| GHY03      | 27-1/2 (699)                      | 26 (660)  | 27 (686)  | 20 (508)  | 1             | 1     | 47          |
| GHY04      | 33-1/2 (851)                      | 32 (813)  | 33 (838)  | 26 (660)  | 2             | 1     | 57          |
| GHY06      | 43-1/2 (1105)                     | 42 (1067) | 43 (1092) | 36 (914)  | 2             | 1     | 77          |
| GHY08      | 45-1/2 (1156)                     | 44 (1118) | 45 (1143) | 38 (965)  | 2             | 1     | 79          |
| GHY10      | 59-1/2 (1511)                     | 58 (1473) | 59 (1499) | 52 (1321) | 4             | 2     | 108         |
| GHY12      | 67-1/2 (1715)                     | 66 (1676) | 67 (1702) | 60 (1524) | 4             | 2     | 127         |

- NOTES:
1. RH coil shown, LH opposite.
  2. All dimensions are +/- 1/4" (6). Drawing not to scale.
  3. Product specifications are subject to changes without notice.
  4. Control box size and position may vary (consult factory).
  5. Position may vary.
  6. Service access is located on the front of the control box.
  7. Knockouts on the bottom and side of the control box for incoming power connections.

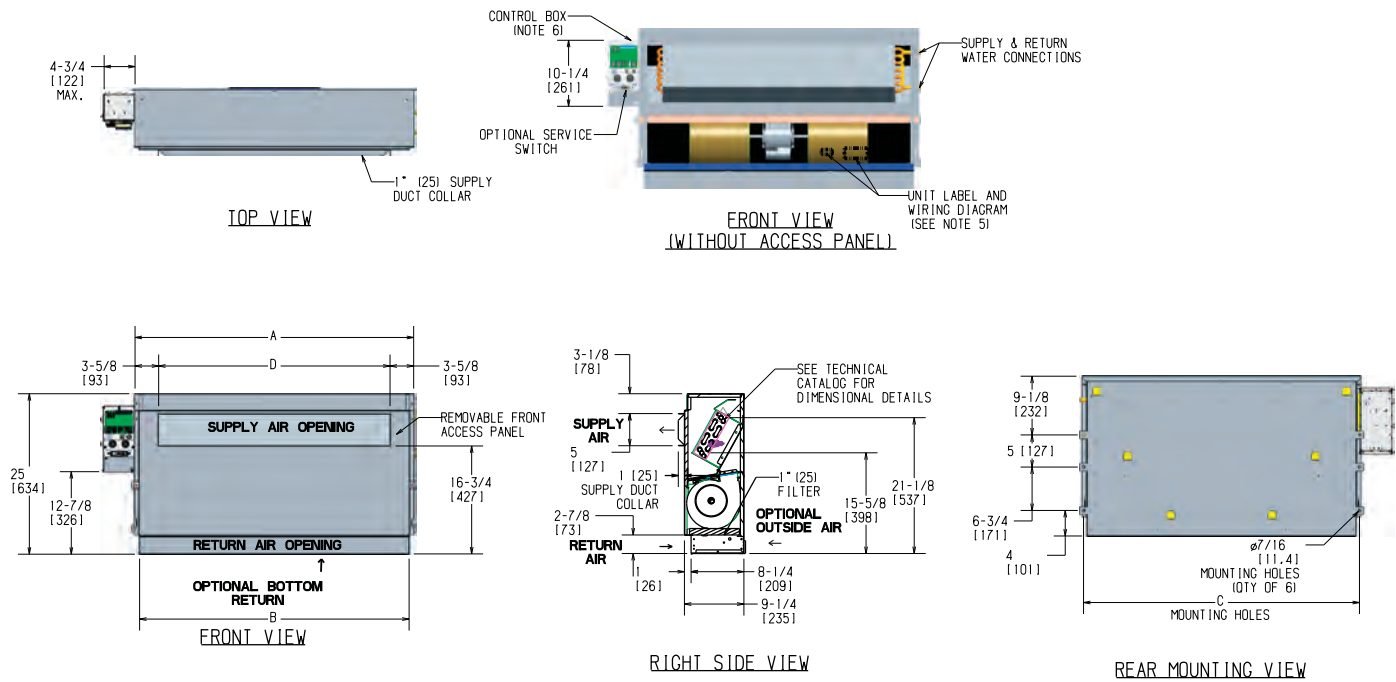
# Cabinet Heater G\*Y Series

## TECHNICAL CATALOG

### Physical Data – GHY, Cont'd.

#### GHY – Vertical Hideaway Cabinet Heater, Hydronic Heat, with Front Supply

Drawing is provided for reference only. Dimensions may vary with options ordered. Consult IEC website for submittal drawings.



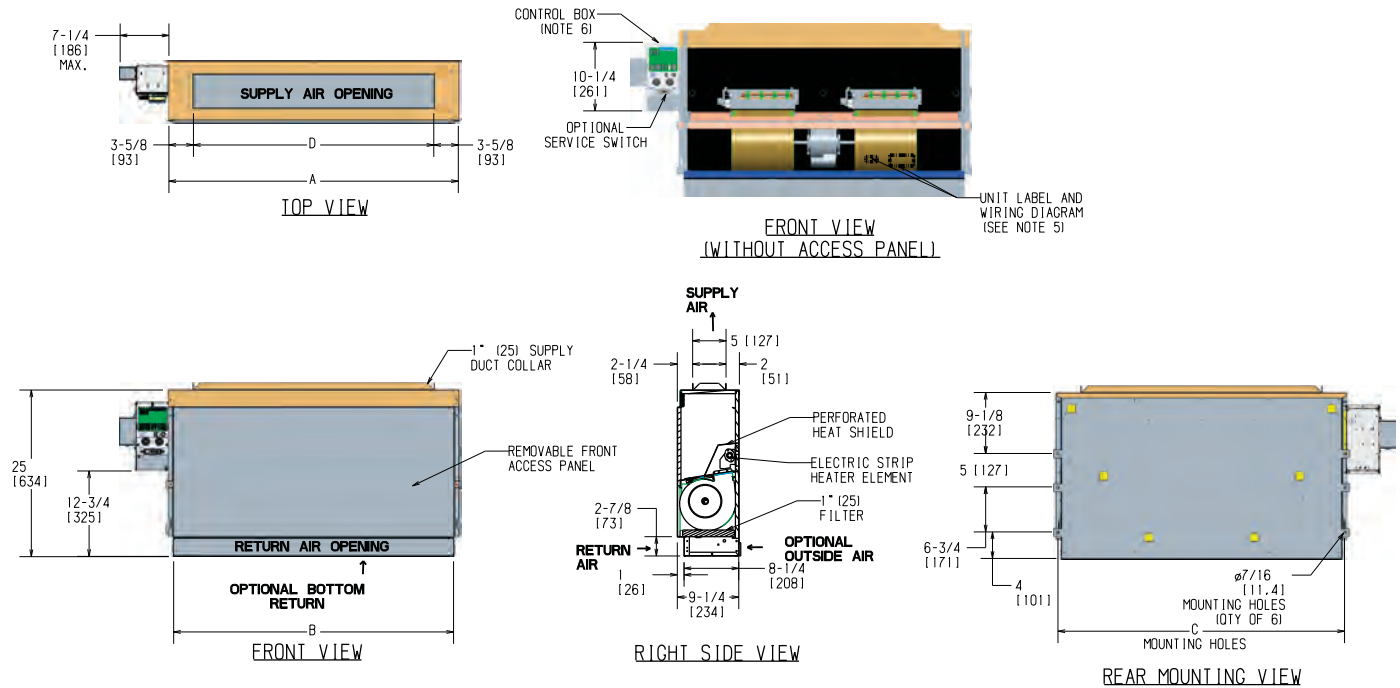
| Unit Model | Dimensions – Inches (Millimeters) |           |           |           | Quantity/Unit |       | Unit Weight |
|------------|-----------------------------------|-----------|-----------|-----------|---------------|-------|-------------|
|            | A                                 | B         | C         | D         | Blower        | Motor |             |
| GHY02      | 23-1/2 (597)                      | 22 (559)  | 23 (584)  | 16 (406)  | 1             | 1     | 42          |
| GHY03      | 27-1/2 (699)                      | 26 (660)  | 27 (686)  | 20 (508)  | 1             | 1     | 47          |
| GHY04      | 33-1/2 (851)                      | 32 (813)  | 33 (838)  | 26 (660)  | 2             | 1     | 57          |
| GHY06      | 43-1/2 (1105)                     | 42 (1067) | 43 (1092) | 36 (914)  | 2             | 1     | 77          |
| GHY08      | 45-1/2 (1156)                     | 44 (1118) | 45 (1143) | 38 (965)  | 2             | 1     | 79          |
| GHY10      | 59-1/2 (1511)                     | 58 (1473) | 59 (1499) | 52 (1321) | 4             | 2     | 108         |
| GHY12      | 67-1/2 (1715)                     | 66 (1676) | 67 (1702) | 60 (1524) | 4             | 2     | 127         |

- NOTES:
- RH coil shown, LH opposite.
  - All dimensions are +/- 1/4" (6). Drawing not to scale.
  - Product specifications are subject to changes without notice.
  - Control box size and position may vary (consult factory).
  - Position may vary.
  - Service access is located on the front of the control box.
  - Knockouts on the bottom and side of the control box for incoming power connections.

### Physical Data – GHY, Cont'd.

#### GHY – Vertical Hideaway Cabinet Heater, Electric Heat, with Top Supply

Drawing is provided for reference only. Dimensions may vary with options ordered. Consult IEC website for submittal drawings.



| Unit Model | Dimensions – Inches (Millimeters) |           |           |           | Quantity/Unit |       | Unit Weight |
|------------|-----------------------------------|-----------|-----------|-----------|---------------|-------|-------------|
|            | A                                 | B         | C         | D         | Blower        | Motor |             |
| GHY02      | 23-1/2 (597)                      | 22 (559)  | 23 (584)  | 16 (406)  | 1             | 1     | 42          |
| GHY03      | 27-1/2 (699)                      | 26 (660)  | 27 (686)  | 20 (508)  | 1             | 1     | 47          |
| GHY04      | 33-1/2 (851)                      | 32 (813)  | 33 (838)  | 26 (660)  | 2             | 1     | 57          |
| GHY06      | 43-1/2 (1105)                     | 42 (1067) | 43 (1092) | 36 (914)  | 2             | 1     | 77          |
| GHY08      | 45-1/2 (1156)                     | 44 (1118) | 45 (1143) | 38 (965)  | 2             | 1     | 79          |
| GHY10      | 59-1/2 (1511)                     | 58 (1473) | 59 (1499) | 52 (1321) | 4             | 2     | 108         |
| GHY12      | 67-1/2 (1715)                     | 66 (1676) | 67 (1702) | 60 (1524) | 4             | 2     | 127         |

- NOTES:
1. RH coil shown, LH opposite.
  2. All dimensions are +/- 1/4" (6). Drawing not to scale.
  3. Product specifications are subject to changes without notice.
  4. Control box size and position may vary (consult factory).
  5. Position may vary.
  6. Service access is located on the front of the control box.
  7. Knockouts on the bottom and side of the control box for incoming power connections.

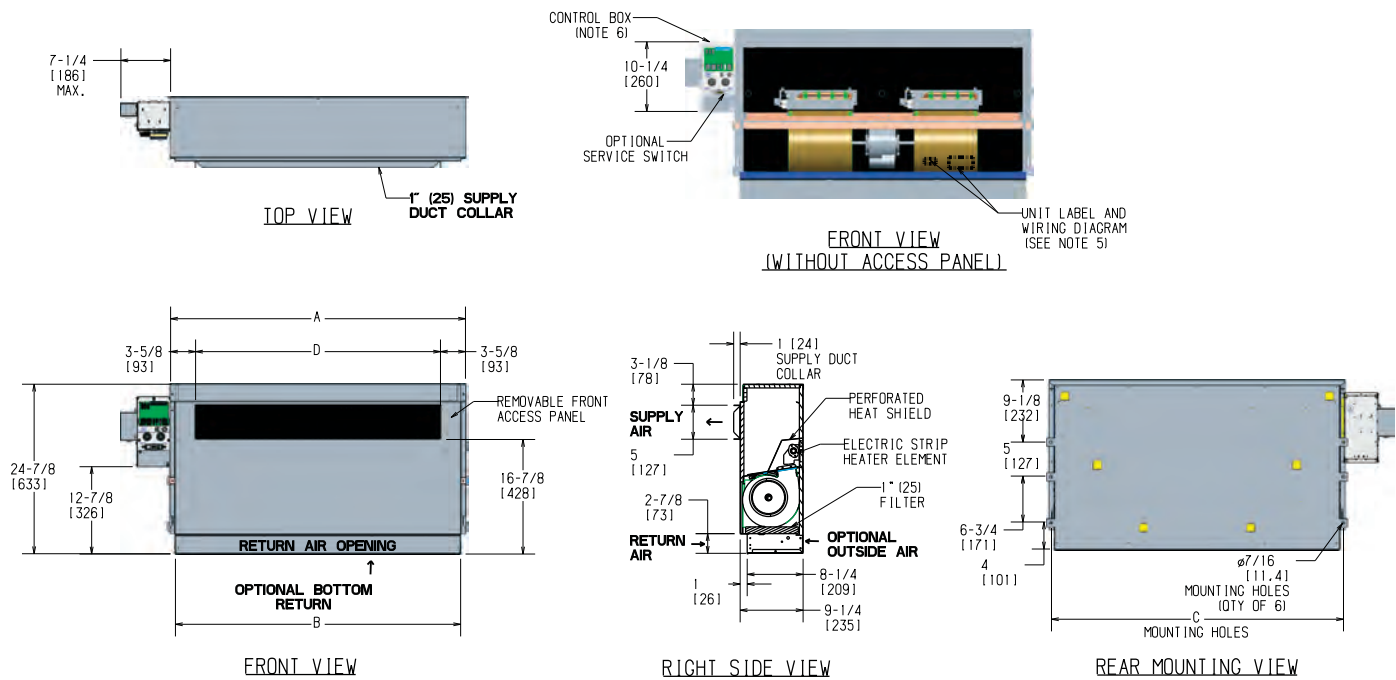
# Cabinet Heater G\*Y Series

## TECHNICAL CATALOG

### Physical Data – GHY, Cont'd.

#### GHY – Vertical Hideaway Cabinet Heater, Electric Heat, with Front Supply

Drawing is provided for reference only. Dimensions may vary with options ordered. Consult IEC website for submittal drawings.



| Unit Model | Dimensions – Inches (Millimeters) |           |           |           | Quantity/Unit |       | Unit Weight |
|------------|-----------------------------------|-----------|-----------|-----------|---------------|-------|-------------|
|            | A                                 | B         | C         | D         | Blower        | Motor |             |
| GHY02      | 23-1/2 (597)                      | 22 (559)  | 23 (584)  | 16 (406)  | 1             | 1     | 42          |
| GHY03      | 27-1/2 (699)                      | 26 (660)  | 27 (686)  | 20 (508)  | 1             | 1     | 47          |
| GHY04      | 33-1/2 (851)                      | 32 (813)  | 33 (838)  | 26 (660)  | 2             | 1     | 57          |
| GHY06      | 43-1/2 (1105)                     | 42 (1067) | 43 (1092) | 36 (914)  | 2             | 1     | 77          |
| GHY08      | 45-1/2 (1156)                     | 44 (1118) | 45 (1143) | 38 (965)  | 2             | 1     | 79          |
| GHY10      | 59-1/2 (1511)                     | 58 (1473) | 59 (1499) | 52 (1321) | 4             | 2     | 108         |
| GHY12      | 67-1/2 (1715)                     | 66 (1676) | 67 (1702) | 60 (1524) | 4             | 2     | 127         |

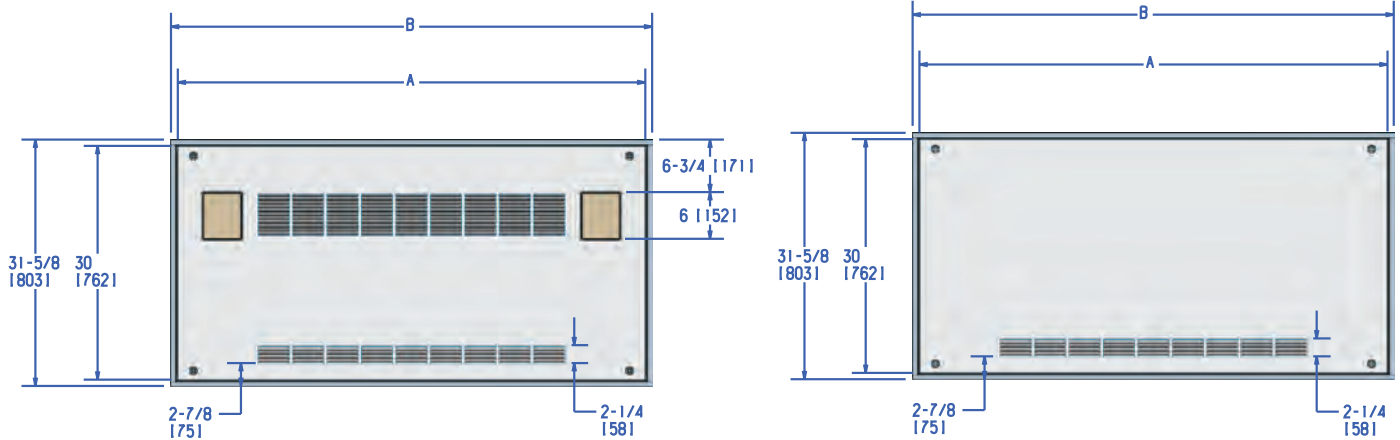
- NOTES:
1. RH coil shown, LH opposite.
  2. All dimensions are +/- 1/4" (6). Drawing not to scale.
  3. Product specifications are subject to changes without notice.
  4. Control box size and position may vary (consult factory).
  5. Position may vary.
  6. Service access is located on the front of the control box.
  7. Knockouts on the bottom and side of the control box for incoming power connections.



### Physical Data – GHY, Cont'd.

#### GHY – Wall Mount Panel

Drawing is provided for reference only.  
Dimensions may vary with options ordered.  
Consult IEC website for submittal drawings.



| Nominal CFM | Dimensions – Inches (Millimeters) |               |               |              |
|-------------|-----------------------------------|---------------|---------------|--------------|
|             | Panel Width                       | Frame Width   | Wall Opening  |              |
|             | A                                 | B             | Width         | Height       |
| 02          | 40 (1016)                         | 41-3/4 (1061) | 40-3/8 (1026) | 30-1/4 (768) |
| 03          | 44 (1118)                         | 45-3/4 (1163) | 44-3/8 (1128) | 30-1/4 (768) |
| 04          | 50 (1270)                         | 51-3/4 (1315) | 50-3/8 (1280) | 30-1/4 (768) |
| 06          | 60 (1524)                         | 61-3/4 (1569) | 60-3/8 (1534) | 30-1/4 (768) |
| 08          | 62 (1575)                         | 63-3/4 (1619) | 62-3/8 (1585) | 30-1/4 (768) |
| 10          | 76 (1930)                         | 77-3/4 (1975) | 76-3/8 (1940) | 30-1/4 (768) |
| 12          | 84 (2134)                         | 85-3/4 (2178) | 84-3/8 (2143) | 30-1/4 (768) |

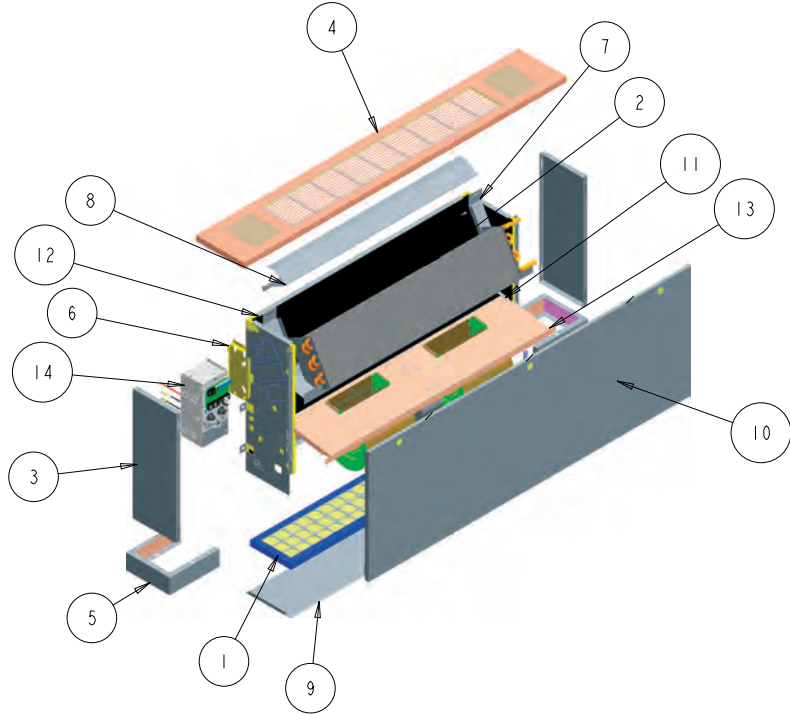
# Cabinet Heater G\*Y Series

## TECHNICAL CATALOG

### CUH Exploded View – GXY

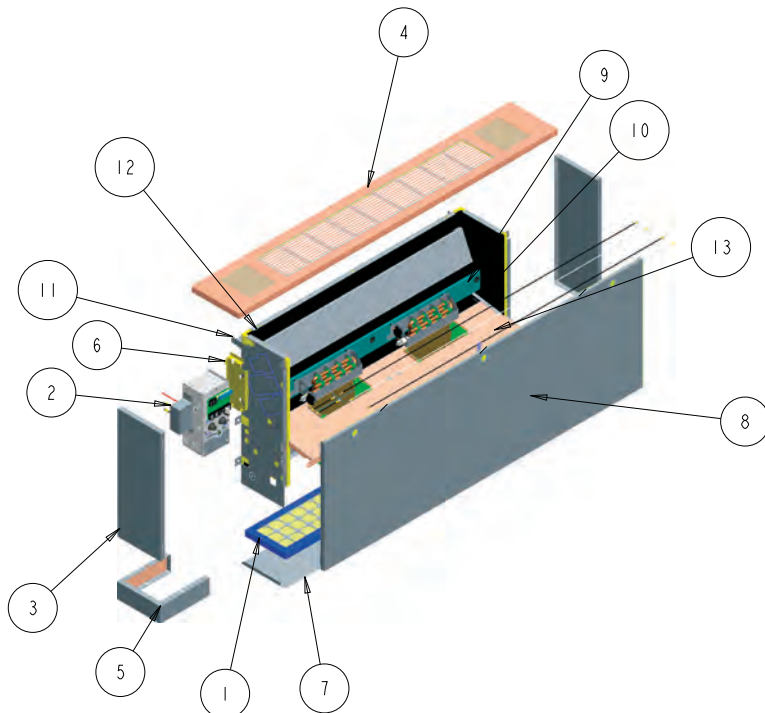
#### Vertical Cabinet Heater, Hydronic Heat, with Top Supply

| ITEM | DESCRIPTION                           |
|------|---------------------------------------|
| 1    | 1" FILTER                             |
| 2    | COIL PKG 2/O F*Y06 RH                 |
| 3    | DTR CASE LEG FXC/FVC PTD ARCTIC WHITE |
| 4    | TOP PNL ASSY LVR FXC06                |
| 5    | SUBBS F*C RH PTD ARCTIC WHITE         |
| 6    | CTRL BOX 85 BRKT CP*/HP*              |
| 7    | COIL BRKT SUP ASSY G*Y06 GALV         |
| 8    | TOP COIL BAF G*Y06 GALV               |
| 9    | BASE PL F*C 06                        |
| 10   | FRNT PNL ASSY SOL CX:CS06             |
| 11   | BLOWER DECK RAIL CUH                  |
| 12   | CHASSIS G*Y ASSY 06                   |
| 13   | MOT BLO DECK ASSY G*Y06               |
| 14   | CNTL PKG                              |



#### Vertical Cabinet Heater, Electric Heat, with Top Supply

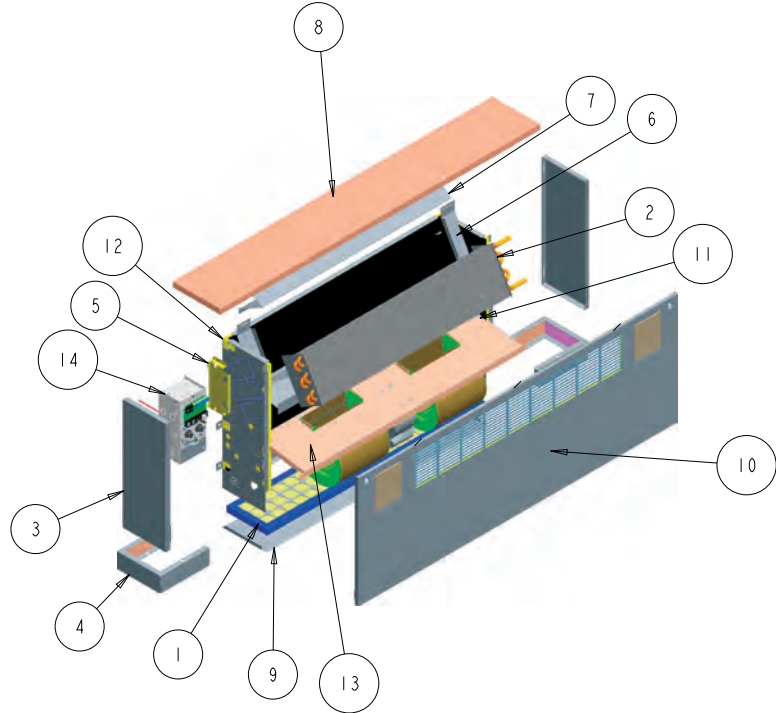
| ITEM | DESCRIPTION                           |
|------|---------------------------------------|
| 1    | 1" FILTER                             |
| 2    | CNTL PKG                              |
| 3    | DTR CASE LEG FXC/FVC PTD ARCTIC WHITE |
| 4    | TOP PNL ASSY LVR FXC06                |
| 5    | SUBBS F*C RH PTD ARCTIC WHITE         |
| 6    | CTRL BOX 85 BRKT CP*/HP*              |
| 7    | BASE PL F*C 06                        |
| 8    | FRNT PNL ASSY SOL CX:CS06             |
| 9    | HTR ASSY F*C 06 277V 1KW              |
| 10   | BLOWER DECK RAIL CUH                  |
| 11   | HEAT SHIELD G*Y06 PERFORATED          |
| 12   | CHASSIS G*Y ASSY 06                   |
| 13   | MOT BLO DECK ASSY G*Y06               |



### CUH Exploded View – GXY, Cont'd.

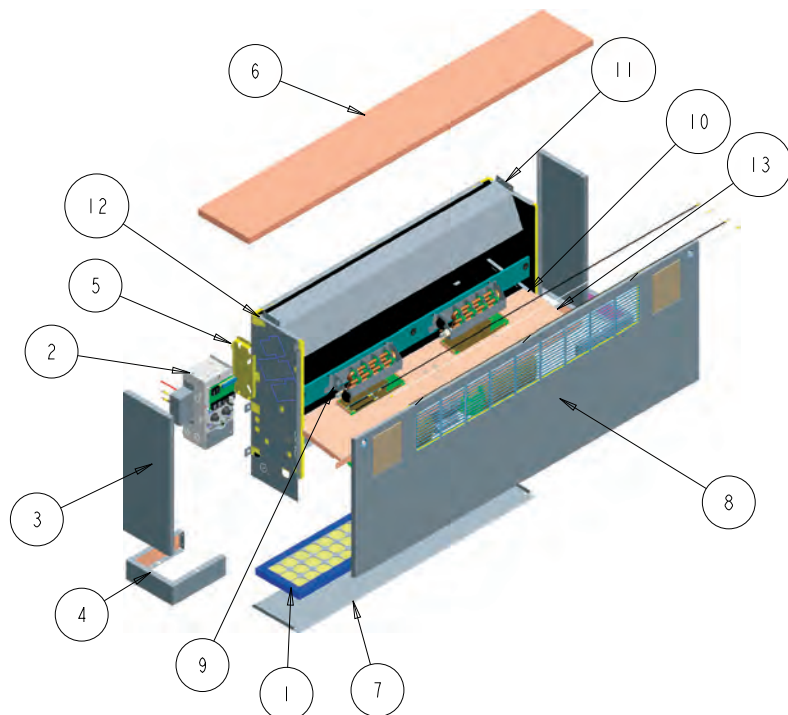
#### Vertical Cabinet Heater, Hydronic Heat, with Front Supply

| ITEM | DESCRIPTION                           |
|------|---------------------------------------|
| 1    | 1" FILTER                             |
| 2    | COIL PKG 2/O F*Y06 RH                 |
| 3    | OTR CASE LEG FXC/FVC PTD ARCTIC WHITE |
| 4    | SUBBS F*C RH PTD ARCTIC WHITE         |
| 5    | CTRL BOX 85 BRKT CP*/HP*              |
| 6    | COIL BRKT SUP ASSY G*Y06 GALV         |
| 7    | TOP COIL BAF G*Y06 GALV               |
| 8    | TOP PNL SLD GXY06 ARCTIC WHITE        |
| 9    | BASE PL F*C 06                        |
| 10   | FRNT PNL ASSY LVR GX1CS06             |
| 11   | BLOWER DECK RAIL CUH                  |
| 12   | CHASSIS G*Y ASSY 06                   |
| 13   | MOT BLO DECK ASSY G*Y06               |
| 14   | CNTL PKG                              |



#### Vertical Cabinet Heater, Electric Heat, with Front Supply

| ITEM | DESCRIPTION                           |
|------|---------------------------------------|
| 1    | 1" FILTER                             |
| 2    | CNTL PKG                              |
| 3    | OTR CASE LEG FXC/FVC PTD ARCTIC WHITE |
| 4    | SUBBS F*C RH PTD ARCTIC WHITE         |
| 5    | CTRL BOX 85 BRKT CP*/HP*              |
| 6    | TOP PNL SLD GXY06 ARCTIC WHITE        |
| 7    | BASE PL F*C 06                        |
| 8    | FRNT PNL ASSY LVR GX1CS06             |
| 9    | HTR ASSY F*C 06 277V 1KW              |
| 10   | BLOWER DECK RAIL CUH                  |
| 11   | HEAT SHIELD G*Y06 PERFORATED          |
| 12   | CHASSIS G*Y ASSY 06                   |
| 13   | MOT BLO DECK ASSY G*Y06               |



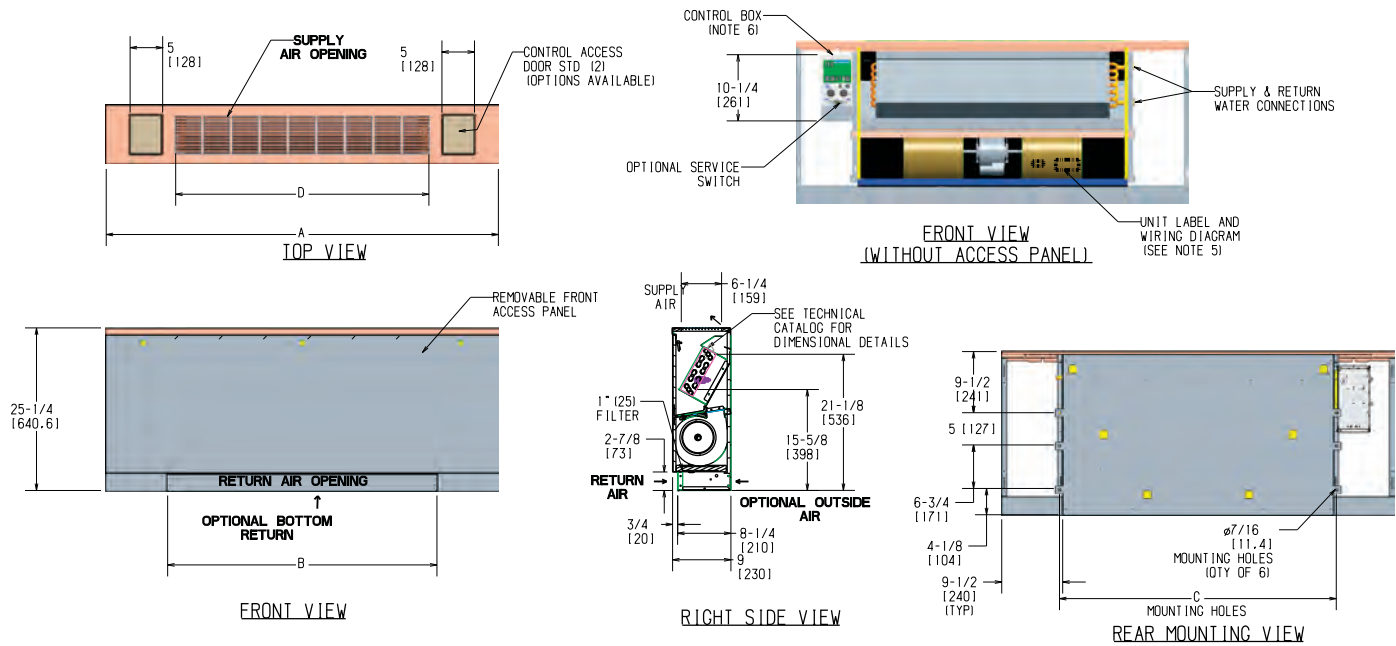
# Cabinet Heater G\*Y Series

## TECHNICAL CATALOG

### Physical Data – GXY

#### GXY – Vertical Cabinet Heater, Hydronic Heat, with Top Supply

Drawing is provided for reference only. Dimensions may vary with options ordered. Consult IEC website for submittal drawings.



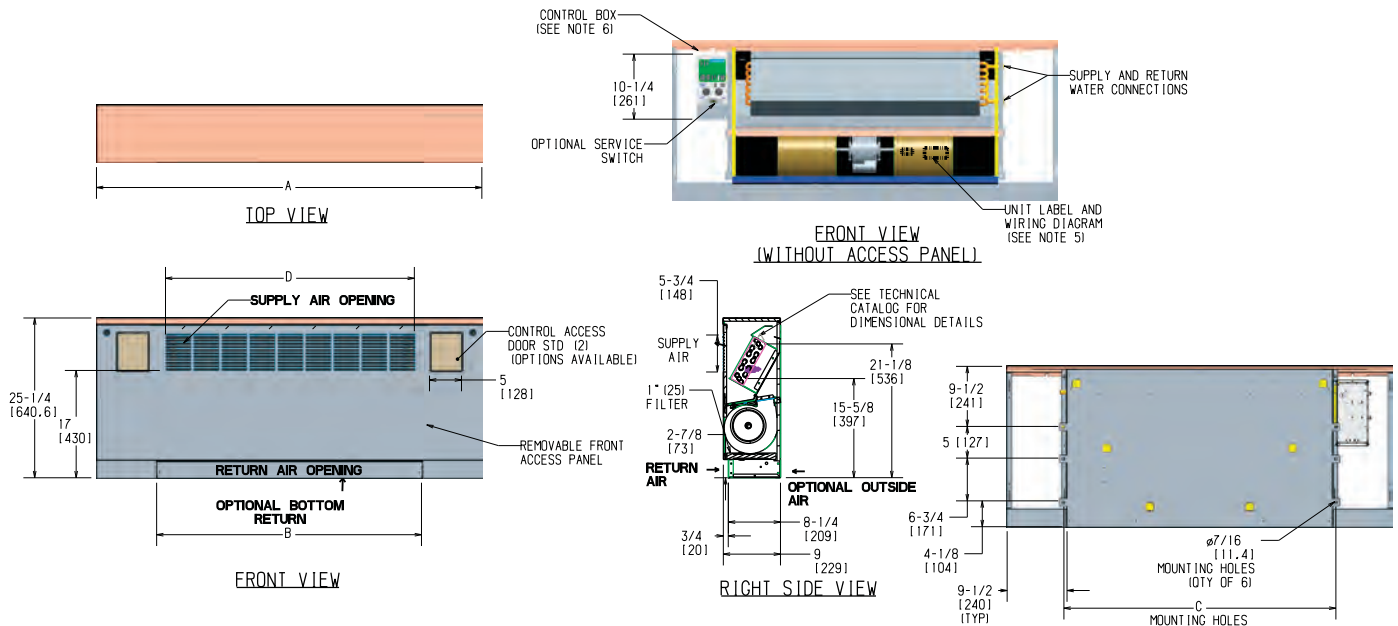
| Unit Model | Dimensions – Inches (Millimeters) |           |           |               | Quantity/Unit |       | Unit Weight |
|------------|-----------------------------------|-----------|-----------|---------------|---------------|-------|-------------|
|            | A                                 | B         | C         | D             | Blower        | Motor |             |
| GXY02      | 41 (1041)                         | 22 (559)  | 23 (584)  | 17-1/4 (438)  | 1             | 1     | 65          |
| GXY03      | 45 (1143)                         | 26 (660)  | 27 (686)  | 21-1/2 (546)  | 1             | 1     | 70          |
| GXY04      | 51 (1295)                         | 32 (813)  | 33 (838)  | 26 (660)      | 2             | 1     | 84          |
| GXY06      | 61 (1549)                         | 42 (1067) | 43 (1092) | 39 (991)      | 2             | 1     | 102         |
| GXY08      | 63 (1600)                         | 44 (1118) | 45 (1143) | 39 (991)      | 2             | 1     | 104         |
| GXY10      | 77 (1956)                         | 58 (1473) | 59 (1499) | 52-1/8 (1324) | 4             | 2     | 136         |
| GXY12      | 85 (2159)                         | 66 (1676) | 67 (1702) | 61 (1549)     | 4             | 2     | 157         |

- NOTES:
1. RH coil shown, LH opposite.
  2. All dimensions are +/- 1/4" (6). Drawing not to scale.
  3. Product specifications are subject to changes without notice.
  4. Control box size and position may vary (consult factory).
  5. Position may vary.
  6. Service access is located on the front of the control box.
  7. Knockouts on the bottom and side of the control box for incoming power connections.

### Physical Data – GXY, Cont'd.

#### GXY – Vertical Cabinet Heater, Hydronic Heat, with Front Supply

Drawing is provided for reference only.  
Dimensions may vary with options ordered.  
Consult IEC website for submittal drawings.



| Unit Model | Dimensions – Inches (Millimeters) |           |           |               | Quantity/Unit |       | Unit Weight |
|------------|-----------------------------------|-----------|-----------|---------------|---------------|-------|-------------|
|            | A                                 | B         | C         | D             | Blower        | Motor |             |
| GXY02      | 41 (1041)                         | 22 (559)  | 23 (584)  | 17-1/4 (438)  | 1             | 1     | 65          |
| GXY03      | 45 (1143)                         | 26 (660)  | 27 (686)  | 21-1/2 (546)  | 1             | 1     | 70          |
| GXY04      | 51 (1295)                         | 32 (813)  | 33 (838)  | 26 (660)      | 2             | 1     | 84          |
| GXY06      | 61 (1549)                         | 42 (1067) | 43 (1092) | 39 (991)      | 2             | 1     | 102         |
| GXY08      | 63 (1600)                         | 44 (1118) | 45 (1143) | 39 (991)      | 2             | 1     | 104         |
| GXY10      | 77 (1956)                         | 58 (1473) | 59 (1499) | 52-1/8 (1324) | 4             | 2     | 136         |
| GXY12      | 85 (2159)                         | 66 (1676) | 67 (1702) | 61 (1549)     | 4             | 2     | 157         |

- NOTES:
- RH coil shown, LH opposite.
  - All dimensions are +/- 1/4" (6). Drawing not to scale.
  - Product specifications are subject to changes without notice.
  - Control box size and position may vary (consult factory).
  - Position may vary.
  - Service access is located on the front of the control box.
  - Knockouts on the bottom and side of the control box for incoming power connections.

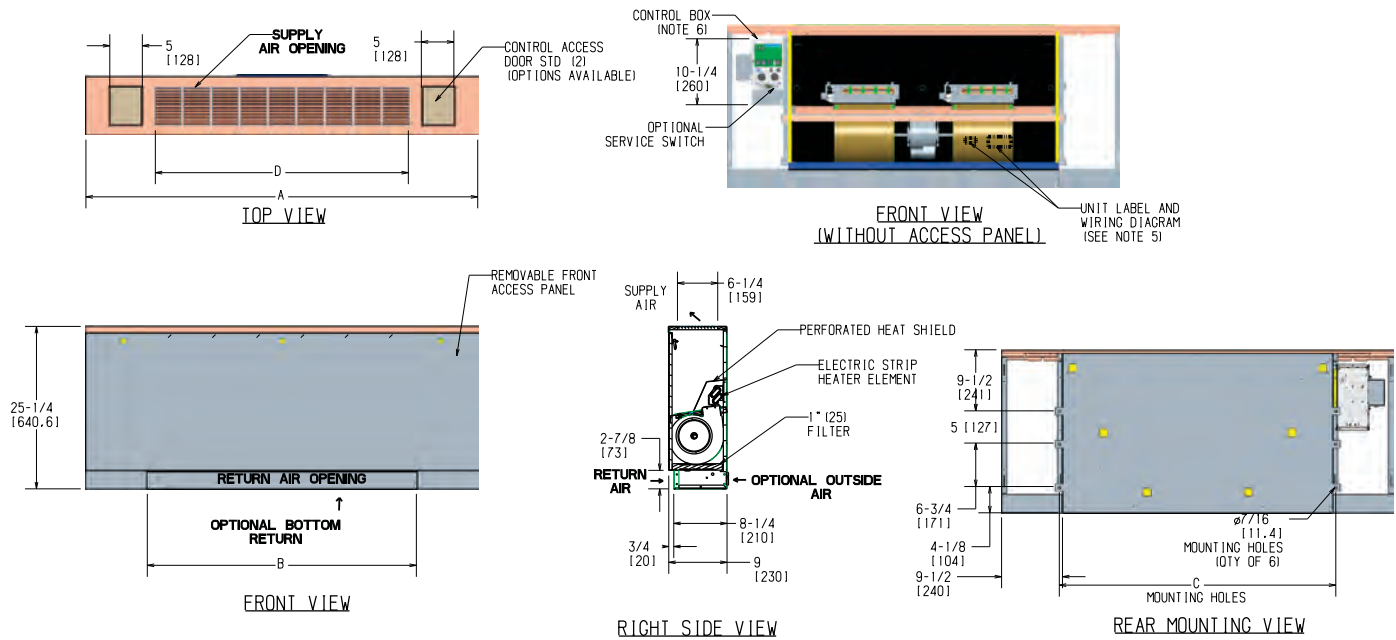
# Cabinet Heater G\*Y Series

## TECHNICAL CATALOG

### Physical Data – GXY, Cont'd.

#### GXY – Vertical Cabinet Heater, Electric Heat, with Top Supply

Drawing is provided for reference only. Dimensions may vary with options ordered. Consult IEC website for submittal drawings.



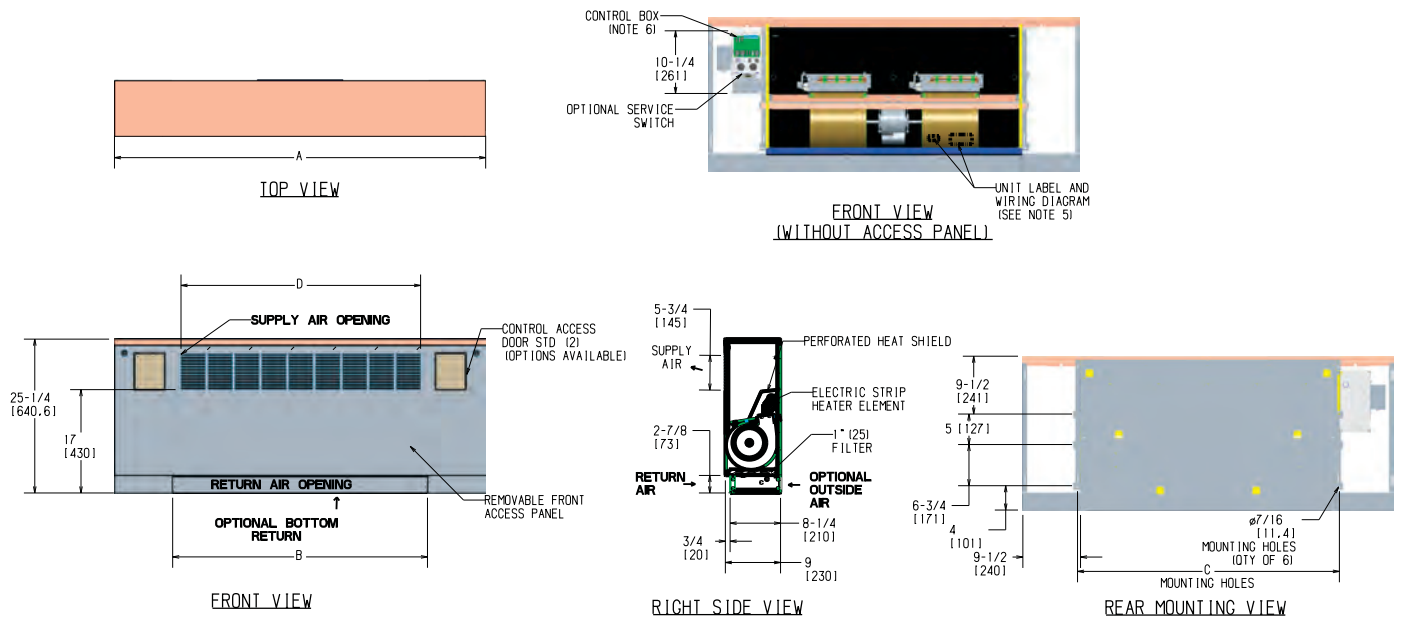
| Unit Model | Dimensions – Inches (Millimeters) |           |           |               | Quantity/Unit |       | Unit Weight |
|------------|-----------------------------------|-----------|-----------|---------------|---------------|-------|-------------|
|            | A                                 | B         | C         | D             | Blower        | Motor |             |
| GXY02      | 41 (1041)                         | 22 (559)  | 23 (584)  | 17-1/4 (438)  | 1             | 1     | 65          |
| GXY03      | 45 (1143)                         | 26 (660)  | 27 (686)  | 21-1/2 (546)  | 1             | 1     | 70          |
| GXY04      | 51 (1295)                         | 32 (813)  | 33 (838)  | 26 (660)      | 2             | 1     | 84          |
| GXY06      | 61 (1549)                         | 42 (1067) | 43 (1092) | 39 (991)      | 2             | 1     | 102         |
| GXY08      | 63 (1600)                         | 44 (1118) | 45 (1143) | 39 (991)      | 2             | 1     | 104         |
| GXY10      | 77 (1956)                         | 58 (1473) | 59 (1499) | 52-1/8 (1324) | 4             | 2     | 136         |
| GXY12      | 85 (2159)                         | 66 (1676) | 67 (1702) | 61 (1549)     | 4             | 2     | 157         |

- NOTES:
1. RH coil shown, LH opposite.
  2. All dimensions are +/- 1/4" (6). Drawing not to scale.
  3. Product specifications are subject to changes without notice.
  4. Control box size and position may vary (consult factory).
  5. Position may vary.
  6. Service access is located on the front of the control box.
  7. Knockouts on the bottom and side of the control box for incoming power connections.

### Physical Data – GXY, Cont'd.

#### GXY – Vertical Cabinet Heater, Electric Heat, with Front Supply

Drawing is provided for reference only.  
Dimensions may vary with options ordered.  
Consult IEC website for submittal drawings.



| Unit Model | Dimensions – Inches (Millimeters) |           |           |               | Quantity/Unit |       | Unit Weight |
|------------|-----------------------------------|-----------|-----------|---------------|---------------|-------|-------------|
|            | A                                 | B         | C         | D             | Blower        | Motor |             |
| GXY02      | 41 (1041)                         | 22 (559)  | 23 (584)  | 17-1/4 (438)  | 1             | 1     | 65          |
| GXY03      | 45 (1143)                         | 26 (660)  | 27 (686)  | 21-1/2 (546)  | 1             | 1     | 70          |
| GXY04      | 51 (1295)                         | 32 (813)  | 33 (838)  | 26 (660)      | 2             | 1     | 84          |
| GXY06      | 61 (1549)                         | 42 (1067) | 43 (1092) | 39 (991)      | 2             | 1     | 102         |
| GXY08      | 63 (1600)                         | 44 (1118) | 45 (1143) | 39 (991)      | 2             | 1     | 104         |
| GXY10      | 77 (1956)                         | 58 (1473) | 59 (1499) | 52-1/8 (1324) | 4             | 2     | 136         |
| GXY12      | 85 (2159)                         | 66 (1676) | 67 (1702) | 61 (1549)     | 4             | 2     | 157         |

- NOTES:
- RH coil shown, LH opposite.
  - All dimensions are +/- 1/4" (6). Drawing not to scale.
  - Product specifications are subject to changes without notice.
  - Control box size and position may vary (consult factory).
  - Position may vary.
  - Service access is located on the front of the control box.
  - Knockouts on the bottom and side of the control box for incoming power connections.

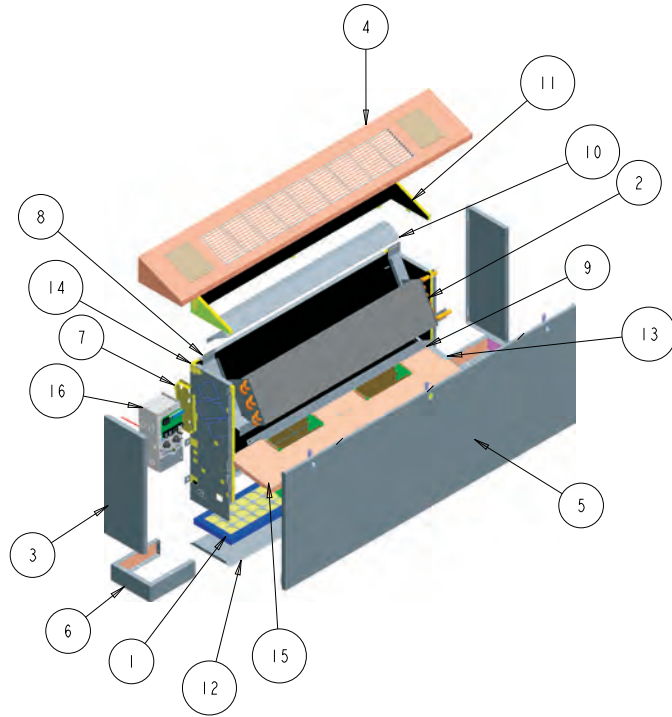
# Cabinet Heater G\*Y Series

## TECHNICAL CATALOG

### CUH Exploded View – GSY

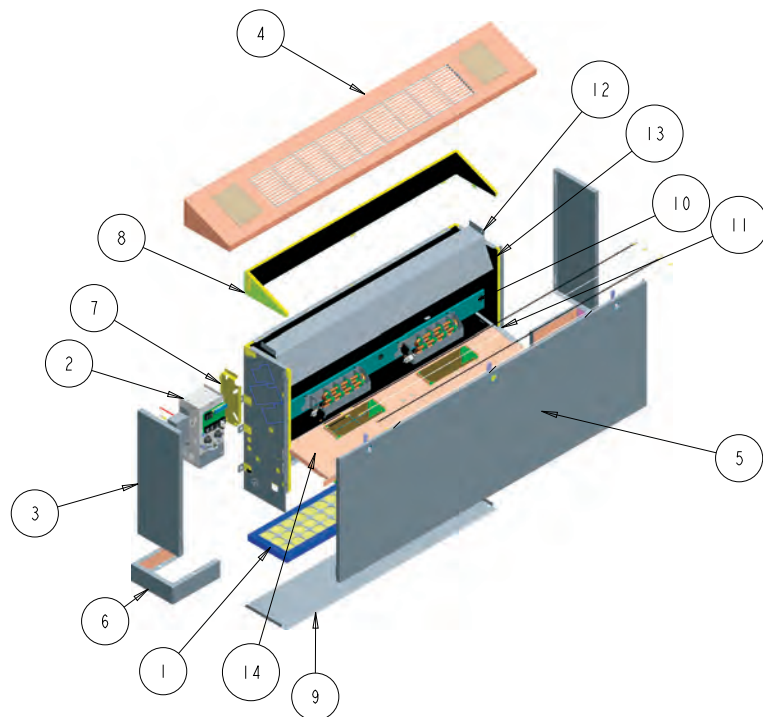
#### Vertical Sloped Top Cabinet Heater, Hydronic Heat, with Top Supply

| ITEM | DESCRIPTION                           |
|------|---------------------------------------|
| 1    | 1" FILTER                             |
| 2    | COIL PKG 2/O F*Y06 RH                 |
| 3    | OTR CASE LEG FXC/FVC PTD ARCTIC WHITE |
| 4    | TOP PNL ASSY LVR FVCO6 ARCTIC WHITE   |
| 5    | FRNT PNL ASSY SOL FX:FV06             |
| 6    | SUBBS F*C RH PTD ARCTIC WHITE         |
| 7    | CTRL BOX 85 BRKT CP*/HP*              |
| 8    | COIL BRKT SUP G*Y06 GALV 6 TUBES      |
| 9    | BOT COIL BAF G*Y06 GALV               |
| 10   | TOP COIL BAF G*Y06 GALV               |
| 11   | WRPR EXT ASSY FVC 06                  |
| 12   | BASE PL F*C 06                        |
| 13   | BLOWER DECK RAIL CUH                  |
| 14   | CHASSIS G*Y ASSY 06                   |
| 15   | MOT BLO DECK ASSY G*Y06               |
| 16   | CNTL PKG                              |



#### Vertical Sloped Top Cabinet Heater, Electric Heat, with Top Supply

| ITEM | DESCRIPTION                           |
|------|---------------------------------------|
| 1    | 1" FILTER                             |
| 2    | CNTL PKG                              |
| 3    | OTR CASE LEG FXC/FVC PTD ARCTIC WHITE |
| 4    | TOP PNL ASSY LVR FVCO6 ARCTIC WHITE   |
| 5    | FRNT PNL ASSY SOL FX:FV06             |
| 6    | SUBBS F*C RH PTD ARCTIC WHITE         |
| 7    | CTRL BOX 85 BRKT CP*/HP*              |
| 8    | WRPR EXT ASSY FVC 06                  |
| 9    | BASE PL F*C 06                        |
| 10   | HTR ASSY F*C 06 277V 1.5KW            |
| 11   | BLOWER DECK RAIL CUH                  |
| 12   | HEAT SHIELD G*Y06 PERFORATED          |
| 13   | CHASSIS G*Y ASSY 06                   |
| 14   | MOT BLO DECK ASSY G*Y06               |

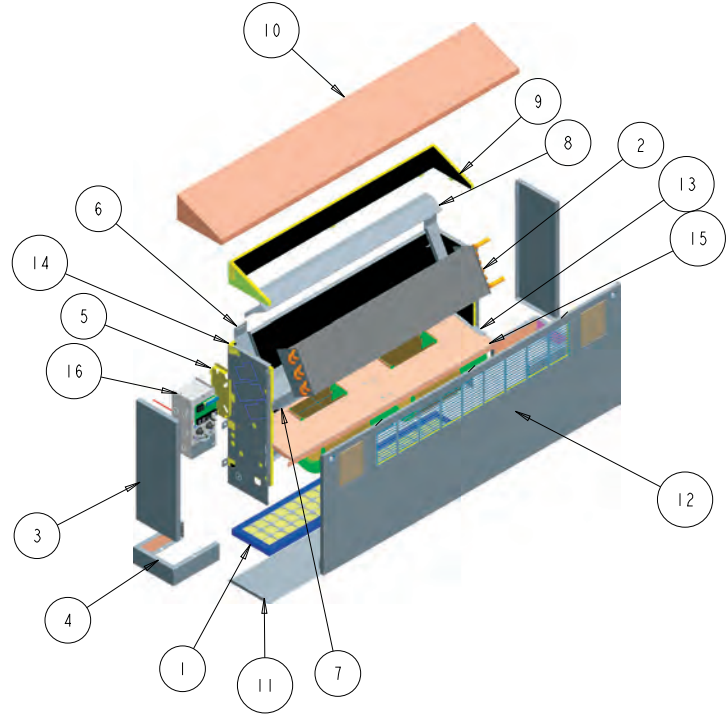




### CUH Exploded View – GSY, Cont'd.

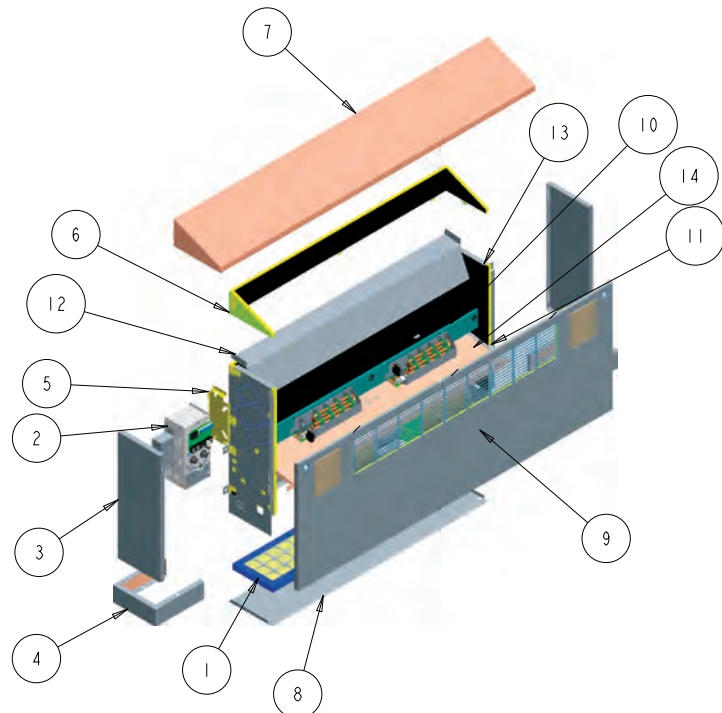
#### Vertical Sloped Top Cabinet Heater, Hydronic Heat, with Front Supply

| ITEM | DESCRIPTION                           |
|------|---------------------------------------|
| 1    | 1" FILTER                             |
| 2    | COIL PKG 2/0 F*Y06 RH                 |
| 3    | OTR CASE LEG FXC/FVC PTD ARCTIC WHITE |
| 4    | SUBBS F*C RH PTD ARCTIC WHITE         |
| 5    | CTRL BOX 85 BRKT CP*/HP*              |
| 6    | COIL BRKT SUP G*Y06 GALV 6 TUBES      |
| 7    | BOT COIL BAF G*Y06 GALV               |
| 8    | TOP COIL BAF G*Y06 GALV               |
| 9    | WRPR EXT ASSY FVC 06                  |
| 10   | TOP PNL SLD CSY06 ARCTIC WHITE        |
| 11   | BASE PL F*C 06                        |
| 12   | FRNT PNL ASSY LVR CX:GS06             |
| 13   | BLOWER DECK RAIL CUH                  |
| 14   | CHASSIS G*Y ASSY 06                   |
| 15   | MOT BLO DECK ASSY G*Y06               |
| 16   | CNTL PKG                              |



#### Vertical Sloped Top Cabinet Heater, Electric Heat, with Front Supply

| ITEM | DESCRIPTION                           |
|------|---------------------------------------|
| 1    | 1" FILTER                             |
| 2    | CNTL PKG                              |
| 3    | OTR CASE LEG FXC/FVC PTD ARCTIC WHITE |
| 4    | SUBBS F*C RH PTD ARCTIC WHITE         |
| 5    | CTRL BOX 85 BRKT CP*/HP*              |
| 6    | WRPR EXT ASSY FVC 06                  |
| 7    | TOP PNL SLD GSY06 ARCTIC WHITE        |
| 8    | BASE PL F*C 06                        |
| 9    | FRNT PNL ASSY LVR CX:GS06             |
| 10   | HTR ASSY F*C 06 277V 1.5KW            |
| 11   | BLOWER DECK RAIL CUH                  |
| 12   | HEAT SHIELD G*Y06 PERFORATED          |
| 13   | CHASSIS G*Y ASSY 06                   |
| 14   | MOT BLO DECK ASSY G*Y06               |



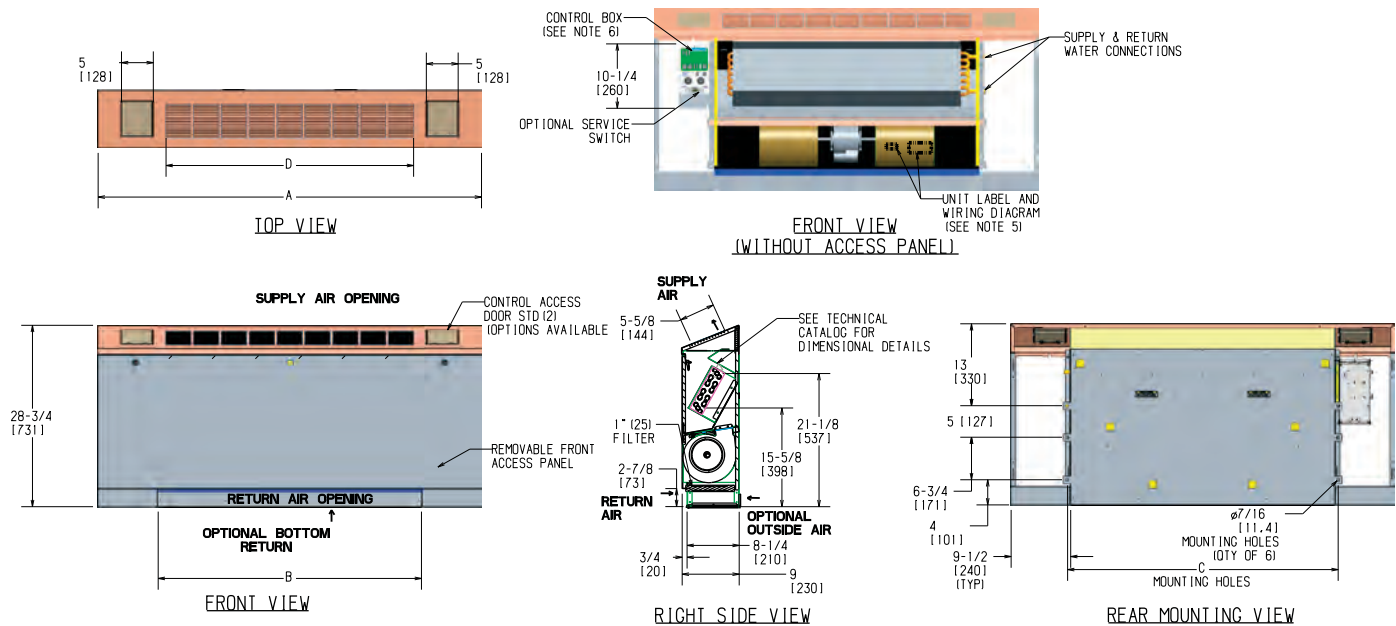
# Cabinet Heater G\*Y Series

## TECHNICAL CATALOG

### Physical Data – GSY

#### GSY – Vertical Sloped Top Cabinet Heater, Hydronic Heat, with Top Supply

Drawing is provided for reference only. Dimensions may vary with options ordered. Consult IEC website for submittal drawings.



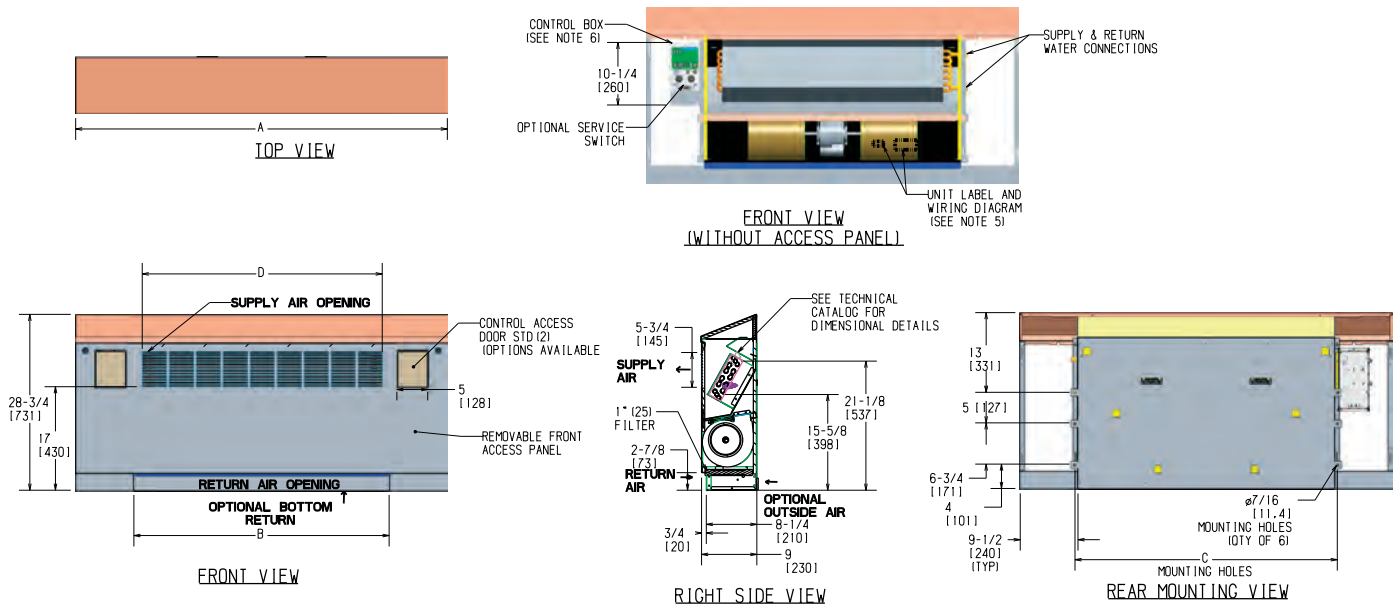
| Unit Model | Dimensions – Inches (Millimeters) |           |           |               | Quantity/Unit |       | Unit Weight |
|------------|-----------------------------------|-----------|-----------|---------------|---------------|-------|-------------|
|            | A                                 | B         | C         | D             | Blower        | Motor |             |
| GSY02      | 41 (1041)                         | 22 (559)  | 23 (584)  | 17-1/4 (438)  | 1             | 1     | 64          |
| GSY03      | 45 (1143)                         | 26 (660)  | 27 (686)  | 21-1/2 (546)  | 1             | 1     | 69          |
| GSY04      | 51 (1295)                         | 32 (813)  | 33 (838)  | 26 (660)      | 2             | 1     | 83          |
| GSY06      | 61 (1549)                         | 42 (1067) | 43 (1092) | 39 (991)      | 2             | 1     | 100         |
| GSY08      | 63 (1600)                         | 44 (1118) | 45 (1143) | 39 (991)      | 2             | 1     | 102         |
| GSY10      | 77 (1956)                         | 58 (1473) | 59 (1499) | 52-1/8 (1324) | 4             | 2     | 135         |
| GSY12      | 85 (2159)                         | 66 (1676) | 67 (1702) | 61 (1549)     | 4             | 2     | 156         |

- NOTES:
1. RH coil shown, LH opposite.
  2. All dimensions are +/- 1/4" (6). Drawing not to scale.
  3. Product specifications are subject to changes without notice.
  4. Control box size and position may vary (consult factory).
  5. Position may vary.
  6. Service access is located on the front of the control box.
  7. Knockouts on the bottom and side of the control box for incoming power connections.

### Physical Data – GSY, Cont'd.

#### GSY – Vertical Sloped Top Cabinet Heater, Hydronic Heat, with Front Supply

Drawing is provided for reference only. Dimensions may vary with options ordered. Consult IEC website for submittal drawings.



| Unit Model | Dimensions – Inches (Millimeters) |           |           |               | Quantity/Unit |       | Unit Weight |
|------------|-----------------------------------|-----------|-----------|---------------|---------------|-------|-------------|
|            | A                                 | B         | C         | D             | Blower        | Motor |             |
| GSY02      | 41 (1041)                         | 22 (559)  | 23 (584)  | 17-1/4 (438)  | 1             | 1     | 64          |
| GSY03      | 45 (1143)                         | 26 (660)  | 27 (686)  | 21-1/2 (546)  | 1             | 1     | 69          |
| GSY04      | 51 (1295)                         | 32 (813)  | 33 (838)  | 26 (660)      | 2             | 1     | 83          |
| GSY06      | 61 (1549)                         | 42 (1067) | 43 (1092) | 39 (991)      | 2             | 1     | 100         |
| GSY08      | 63 (1600)                         | 44 (1118) | 45 (1143) | 39 (991)      | 2             | 1     | 102         |
| GSY10      | 77 (1956)                         | 58 (1473) | 59 (1499) | 52-1/8 (1324) | 4             | 2     | 135         |
| GSY12      | 85 (2159)                         | 66 (1676) | 67 (1702) | 61 (1549)     | 4             | 2     | 156         |

- NOTES:
1. RH coil shown, LH opposite.
  2. All dimensions are +/- 1/4" (6). Drawing not to scale.
  3. Product specifications are subject to changes without notice.
  4. Control box size and position may vary (consult factory).
  5. Position may vary.
  6. Service access is located on the front of the control box.
  7. Knockouts on the bottom and side of the control box for incoming power connections.

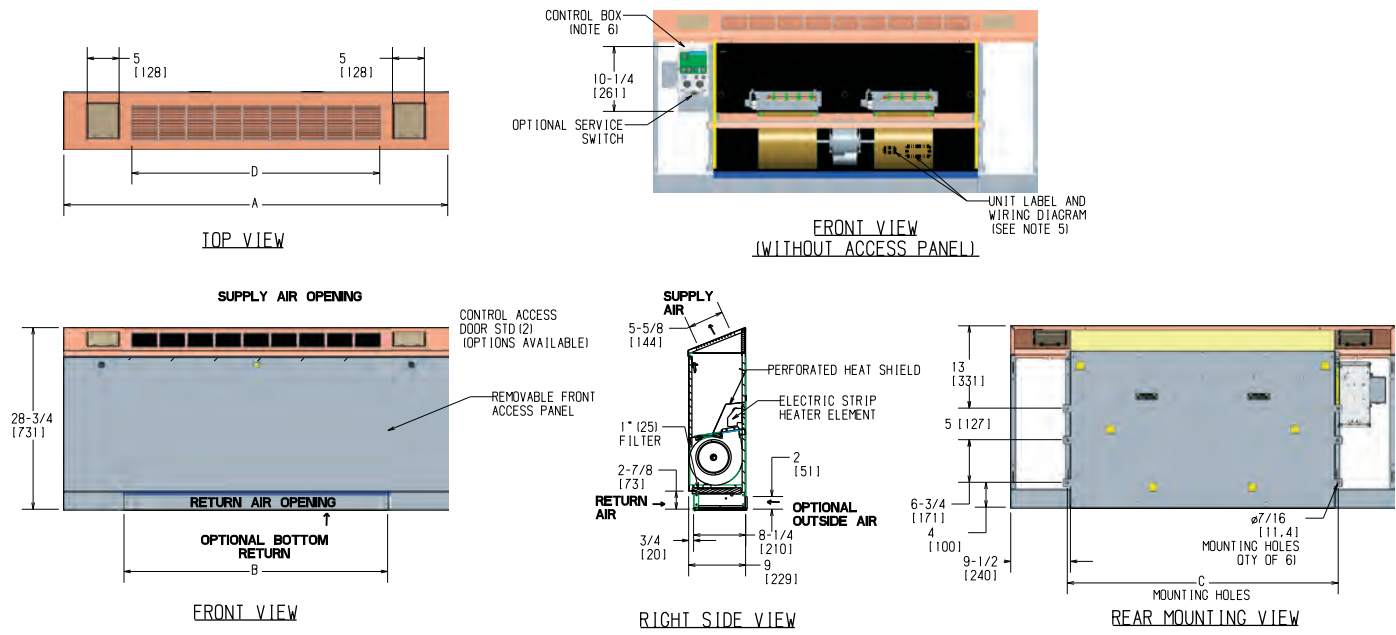
# Cabinet Heater G\*Y Series

## TECHNICAL CATALOG

### Physical Data – GSY, Cont'd.

#### GSY – Vertical Sloped Top Cabinet Heater, Electric Heat, with Top Supply

Drawing is provided for reference only. Dimensions may vary with options ordered. Consult IEC website for submittal drawings.



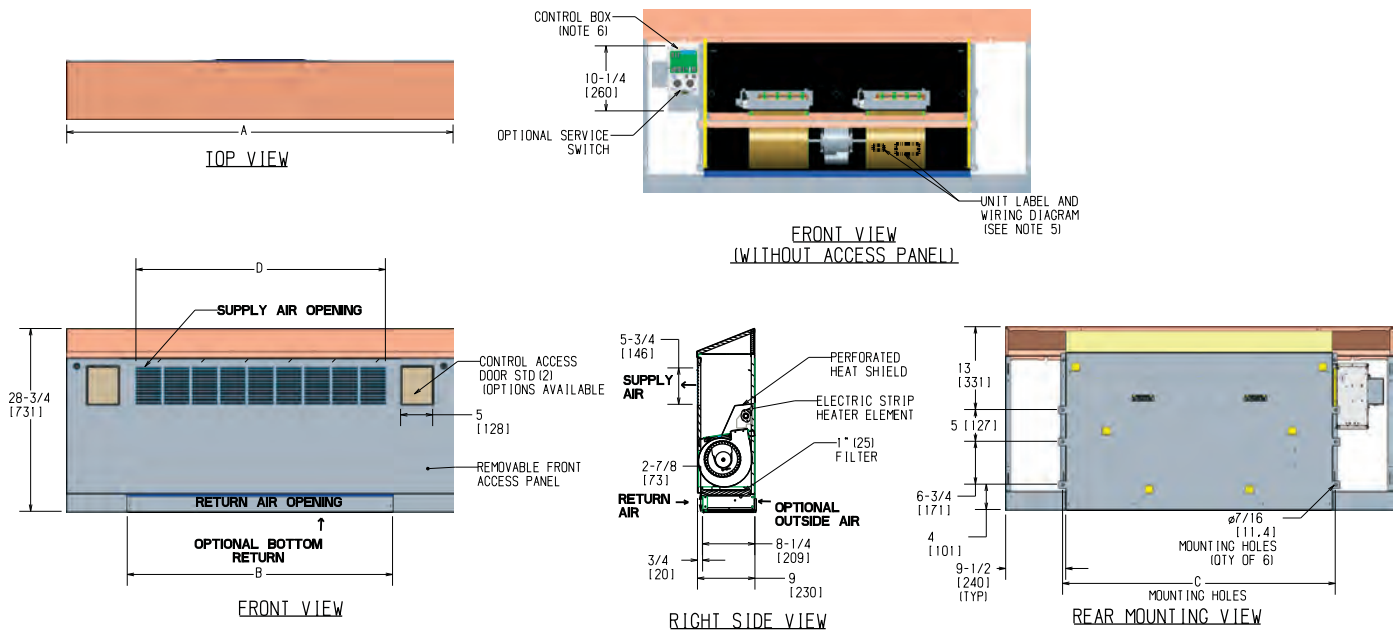
| Unit Model | Dimensions – Inches (Millimeters) |           |           |               | Quantity/Unit |       | Unit Weight |
|------------|-----------------------------------|-----------|-----------|---------------|---------------|-------|-------------|
|            | A                                 | B         | C         | D             | Blower        | Motor |             |
| GSY02      | 41 (1041)                         | 22 (559)  | 23 (584)  | 17-1/4 (438)  | 1             | 1     | 64          |
| GSY03      | 45 (1143)                         | 26 (660)  | 27 (686)  | 21-1/2 (546)  | 1             | 1     | 69          |
| GSY04      | 51 (1295)                         | 32 (813)  | 33 (838)  | 26 (660)      | 2             | 1     | 83          |
| GSY06      | 61 (1549)                         | 42 (1067) | 43 (1092) | 39 (991)      | 2             | 1     | 100         |
| GSY08      | 63 (1600)                         | 44 (1118) | 45 (1143) | 39 (991)      | 2             | 1     | 102         |
| GSY10      | 77 (1956)                         | 58 (1473) | 59 (1499) | 52-1/8 (1324) | 4             | 2     | 135         |
| GSY12      | 85 (2159)                         | 66 (1676) | 67 (1702) | 61 (1549)     | 4             | 2     | 156         |

- NOTES:**
1. RH coil shown, LH opposite.
  2. All dimensions are +/- 1/4" (6). Drawing not to scale.
  3. Product specifications are subject to changes without notice.
  4. Control box size and position may vary (consult factory).
  5. Position may vary.
  6. Service access is located on the front of the control box.
  7. Knockouts on the bottom and side of the control box for incoming power connections.

### Physical Data – GSY, Cont'd.

#### GSY – Vertical Sloped Top Cabinet Heater, Electric Heat, with Front Supply

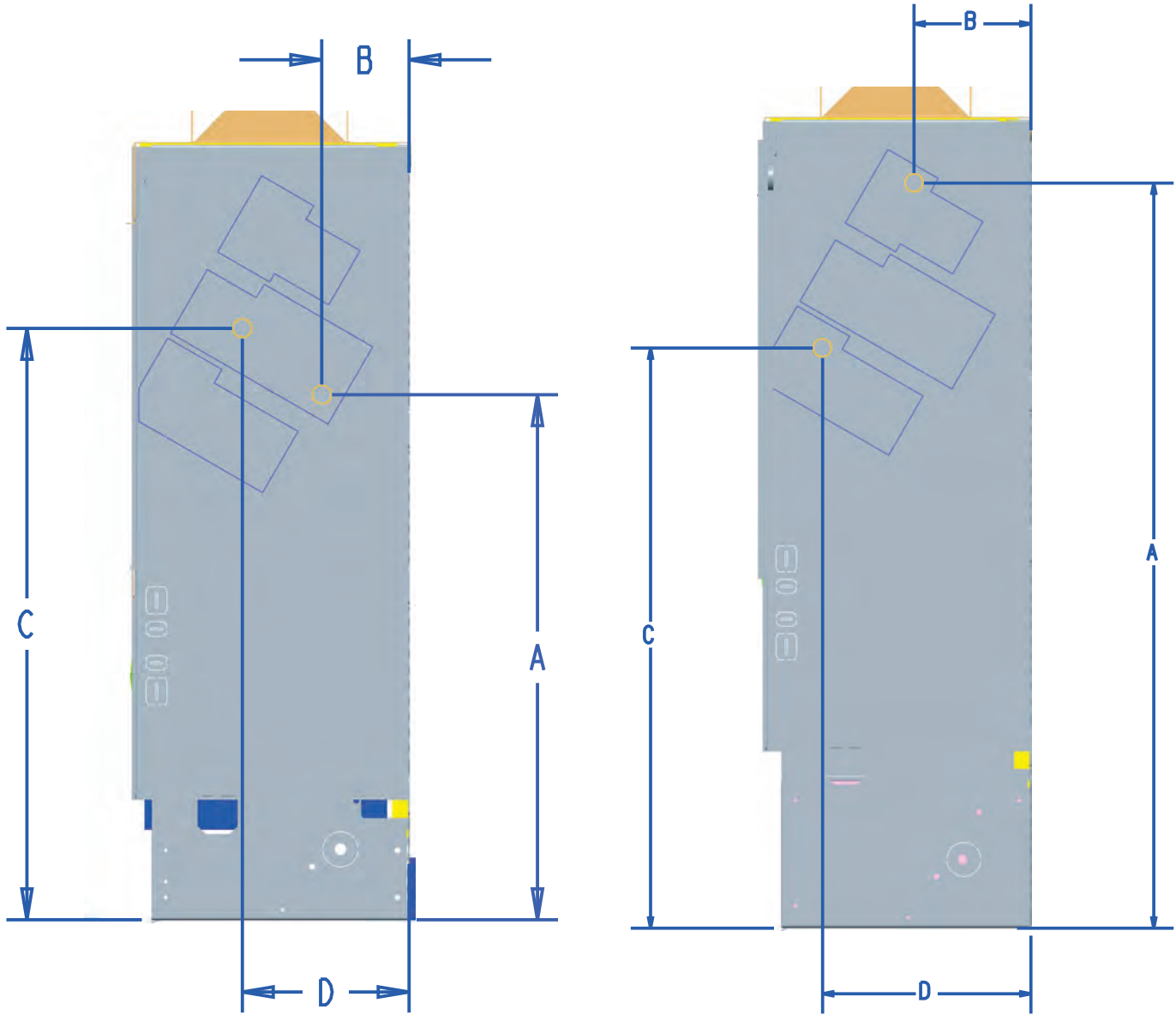
Drawing is provided for reference only. Dimensions may vary with options ordered. Consult IEC website for submittal drawings.



| Unit Model | Dimensions – Inches (Millimeters) |           |           |               | Quantity/Unit |       | Unit Weight |
|------------|-----------------------------------|-----------|-----------|---------------|---------------|-------|-------------|
|            | A                                 | B         | C         | D             | Blower        | Motor |             |
| GSY02      | 41 (1041)                         | 22 (559)  | 23 (584)  | 17-1/4 (438)  | 1             | 1     | 64          |
| GSY03      | 45 (1143)                         | 26 (660)  | 27 (686)  | 21-1/2 (546)  | 1             | 1     | 69          |
| GSY04      | 51 (1295)                         | 32 (813)  | 33 (838)  | 26 (660)      | 2             | 1     | 83          |
| GSY06      | 61 (1549)                         | 42 (1067) | 43 (1092) | 39 (991)      | 2             | 1     | 100         |
| GSY08      | 63 (1600)                         | 44 (1118) | 45 (1143) | 39 (991)      | 2             | 1     | 102         |
| GSY10      | 77 (1956)                         | 58 (1473) | 59 (1499) | 52-1/8 (1324) | 4             | 2     | 135         |
| GSY12      | 85 (2159)                         | 66 (1676) | 67 (1702) | 61 (1549)     | 4             | 2     | 156         |

- NOTES:
- RH coil shown, LH opposite.
  - All dimensions are +/- 1/4" (6). Drawing not to scale.
  - Product specifications are subject to changes without notice.
  - Control box size and position may vary (consult factory).
  - Position may vary.
  - Service access is located on the front of the control box.
  - Knockouts on the bottom and side of the control box for incoming power connections.

### Coil Stub Out Dimensions



| Size 02-06 Stub Out Location |                                   |            |              |             |
|------------------------------|-----------------------------------|------------|--------------|-------------|
| Coil Row(s)                  | Dimensions - Inches (Millimeters) |            |              |             |
|                              | Return (A)                        | Return (B) | Supply (C)   | Supply (D)  |
| 1                            | 21-5/8 (549)                      | 3-3/4 (95) | 16-1/8 (410) | 6-7/8 (175) |
| 2                            | 21-1/8 (537)                      | 3-1/2 (89) | 15-5/8 (397) | 6-5/8 (168) |
| 3                            | 17-7/8 (454)                      | 3-1/2 (89) | 18-7/8 (479) | 5-3/8 (137) |
| 4                            | 16-3/4 (425)                      | 2-3/4 (70) | 18-7/8 (479) | 5-3/8 (137) |

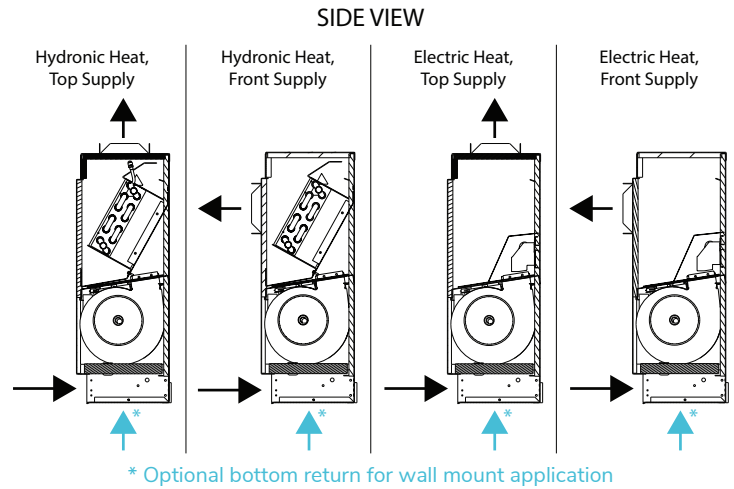
NOTES: Standard coil circuiting configurations shown.  
For special coil arrangements, contact Sales Rep.

| Size 08-12 Stub Out Location |                                   |             |              |             |
|------------------------------|-----------------------------------|-------------|--------------|-------------|
| Coil Row(s)                  | Dimensions - Inches (Millimeters) |             |              |             |
|                              | Return (A)                        | Return (B)  | Supply (C)   | Supply (D)  |
| 1                            | 23-3/4 (603)                      | 3-7/8 (98)  | 19-1/4 (489) | 6-7/8 (175) |
| 2                            | 24-1/8 (613)                      | 4-1/8 (105) | 17-5/8 (448) | 7-1/4 (184) |
| 3                            | 20-7/8 (530)                      | 3-1/2 (89)  | 20-7/8 (530) | 6 (152)     |
| 4                            | 19-7/8 (505)                      | 2-7/8 (73)  | 20-7/8 (530) | 6 (152)     |

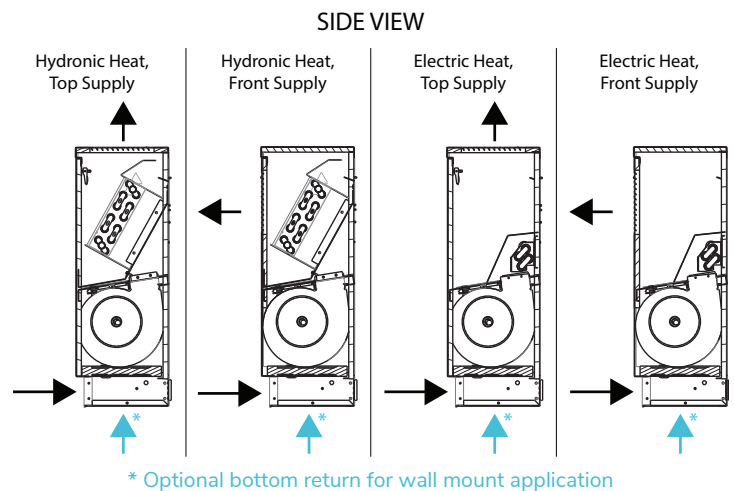
NOTES: Standard coil circuiting configurations shown.  
For special coil arrangements, contact Sales Rep.

### Air Flow Arrangements

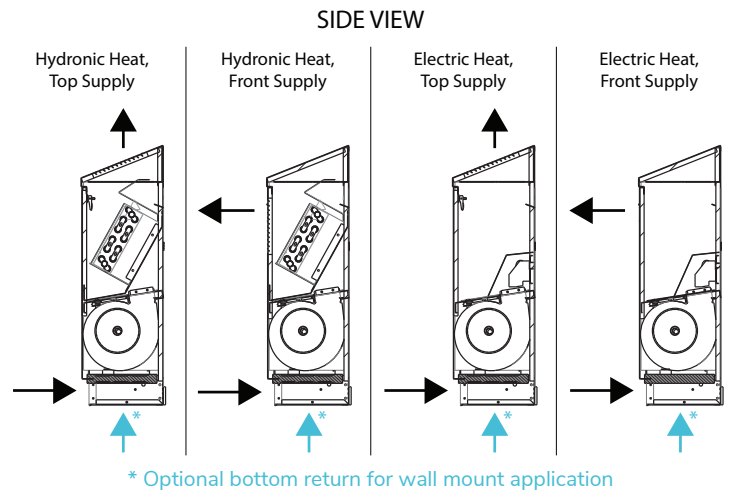
#### GHY – Vertical Hideaway Cabinet Heater



#### GXY – Vertical Cabinet Heater



#### GSY – Vertical Sloped Top Cabinet Heater



# Cabinet Heater G\*Y Series

## TECHNICAL CATALOG

### Standard Features, Options and Accessories

| Features and Options   | Standard | Factory | Field Installed | Factory Special |
|--|----------|---------|-----------------|-----------------|
| <b>Air Flow Arrangements</b>                                 |          |         |                 |                 |
| Front Return/Top Supply                                      | X        |         |                 |                 |
| Front Return/Front Supply                                    |          | X       |                 |                 |
| Bottom Return/Top Supply (Wall Mount Only)                   |          | X       |                 |                 |
| Bottom Return/Front Supply (Wall Mount Only)                 |          | X       |                 |                 |
| Floor Mount  | X        |         |                 |                 |
| Wall Mount   |          | X       |                 |                 |
| <b>Coils</b>   |          |         |                 |                 |
| 1, 2, 3, 4-Row   | X        | X       |                 |                 |
| Steam  |          |         |                 | X               |
| Manual Air Vent  | X        |         |                 |                 |
| Automatic Air Vent   |          | X       |                 |                 |
| <b>Electric Heat</b>   |          |         |                 |                 |
| Nichrome Wire Strip Electric Heater (Total and Auxiliary)    | X        | X       |                 |                 |
| Perforated Electric Heat Shield                              | X        |         |                 |                 |
| <b>Connection</b>  |          |         |                 |                 |
| Right or Left (Same End)                                     | X        |         |                 |                 |
| <b>Drain Pan</b>   |          |         |                 |                 |
| Plastic Auxiliary Drain Pan                                  |          |         | X               |                 |
| <b>Fin Material</b>  |          |         |                 |                 |
| Aluminum w/Galvanized End Sheets                             | X        |         |                 |                 |
| <b>Indoor Air Quality</b>                                    |          |         |                 |                 |
| 1" Throwaway Non-Woven Synthetic                             | X        |         |                 |                 |
| 1" Permanent   |          | X       |                 |                 |
| 1" MERV 8 Pleated  |          | X       |                 |                 |
| 1" MERV 13 Pleated   |          |         |                 | X               |
| Bipolar Ionizer  |          | X       |                 |                 |
| <b>Insulation</b>  |          |         |                 |                 |
| 1/2" Standard Fiberglass                                     | X        |         |                 |                 |
| 1/2" Premium IAQ Fiberglass                                  |          | X       |                 |                 |
| 1/2" Foil Face   |          | X       |                 |                 |
| 1/2" Closed Cell   |          | X       |                 |                 |
| <b>Motor Type</b>  |          |         |                 |                 |
| PSC Motors   | X        |         |                 |                 |
| ECM Motors   |          | X       |                 |                 |
| <b>Motor Voltage</b>   |          |         |                 |                 |
| 120/1/60 3-Speed   | X        |         |                 |                 |
| 208/230/277/1/60 3-Speed                                     |          | X       |                 |                 |
| <b>Supply/Return Air Grilles</b>                             |          |         |                 |                 |
| Stamped Supply Grille (GXY, GSY)                             | X        |         |                 |                 |
| Double Deflection Integral Supply Grille, Painted (GXY, GSY) |          | X       |                 |                 |
| Double Deflection Aluminum Supply Grille (GXY, GSY)          |          | X       |                 |                 |
| Stamped Return Grille (GXY, GSY)                             |          | X       |                 |                 |

table continued on next page



## Standard Features, Options and Accessories, Cont'd.

| Features and Options   | Standard | Factory | Field Installed | Factory Special |
|--|----------|---------|-----------------|-----------------|
| <b>Controls</b>  |          |         |                 |                 |
| Service Switch with Lockout Tabs   |          | X       |                 |                 |
| Single Point Power Connection  |          | X       |                 |                 |
| Incoming Power Fusing  |          | X       |                 |                 |
| 24V Controls   |          | X       |                 |                 |
| Three Speed Switch   |          | X       |                 |                 |
| Thermostats  |          | X       | X               |                 |
| <b>Paint Options</b>   |          |         |                 |                 |
| Arctic White   | X        |         |                 |                 |
| Polar White, Flat Black, Ermine Gray, Champagne Beige, Toffee Brown                                |          | X       |                 |                 |
| Special Color  |          |         |                 | X               |
| <b>Outside Air Dampers/Wall Panels</b>   |          |         |                 |                 |
| Manually Controlled Damper   |          | X       |                 |                 |
| Motorized Controlled Damper  |          | X       |                 |                 |
| Outside Air Box  |          |         | X               |                 |
| <b>Front Panel/Decorative Wall Panel</b>   |          |         |                 |                 |
| 16ga Decorative Framed Wall Panels (GHY)   |          |         | X               |                 |
| 16ga Front Panel   | X        |         |                 |                 |
| Fully Insulated Front Panel  |          | X       |                 |                 |
| Front/Wall Panel Tamper Proof Locks  |          | X       |                 |                 |
| <b>Tamperproof Locks</b>   |          |         |                 |                 |
| Front/Wall Panel   |          | X       |                 |                 |
| Access Doors   |          | X       |                 |                 |
| <b>Cabinet Options</b>   |          |         |                 |                 |
| Floor/Wall Mount Trim Kit  |          |         | X               |                 |
| Rear Cabinet Extensions  |          | X       |                 |                 |
| Insulated Rear Cabinet Extensions  |          | X       |                 |                 |
| Left/Right Cabinet Extensions  |          | X       |                 |                 |
| Height Cabinet Extensions  |          | X       |                 |                 |
| 1", 2.5" Leveling Legs   |          | X       |                 |                 |
| 16ga, 14ga Cabinet   |          | X       |                 |                 |
| Finished Back Panel  |          | X       |                 |                 |
| <b>Valve Package Options* (* Valve packages are assembled at the factory but field installed.)</b> |          |         |                 |                 |
| Union Connections at the Coil  |          |         | X               |                 |
| 24" Braided Hoses  |          |         | X               |                 |
| Ball Valves  |          |         | X               |                 |
| 2-Way/3-Way 25 psi Control Valve   |          |         | X               |                 |
| 2-Way/3-Way 150 psi, Normally Closed, Control Valve  |          |         | X               |                 |
| 2-Way/3-Way 150 psi, Normally Open, Control Valve  |          |         | X               |                 |
| 2-Way/3-Way 35 psi Floating Control Valve  |          |         | X               |                 |
| 2-Way/3-Way 35 psi Proportional Control Valve  |          |         | X               |                 |
| Combination Supply/Return Valves   |          |         | X               |                 |
| Fixed Flow Control 1.0-8.0 GMP   |          |         | X               |                 |
| Y-Strainer/Y-Strainer with Blowdown  |          |         | X               |                 |
| P-T Ports  |          |         | X               |                 |
| Circuit Setter   |          |         | X               |                 |
| Balance Valve (Return Line)  |          |         | X               |                 |
| Balance Valve (3-Way Bypass)   |          |         | X               |                 |

# Cabinet Heater G\*Y Series

## TECHNICAL CATALOG

### Standard Features, Options, and Accessories, Cont'd.

#### Filters

All Vertical GHY, GXY, GSY Series units include a non-woven, synthetic throwaway filter, designed to maximize airflow and performance. Permanent (cleanable), MERV 8 filters are also available as factory-installed options.

#### Filter Static Resistance (in w.c.)

| Unit Size | Nominal One-Inch Filter Size – Inches (Millimeters) |
|-----------|---|
|           | GHY, GXY, GSY                                       |
| 02        | 7-3/4" x 21-3/4" (197 x 552)                        |
| 03        | 7-3/4" x 25-3/4" (197 x 654)                        |
| 04        | 7-3/4" x 31-3/4" (197 x 806)                        |
| 06        | 7-3/4" x 41-3/4" (197 x 1060)                       |
| 08        | 7-3/4" x 43-3/4" (197 x 1111)                       |
| 10        | 7-3/4" x 57-3/4" (197 x 1467)                       |
| 12        | 7-3/4" x 65-3/4" (197 x 1670)                       |

| Unit Data |           |             | Filter Pressure Drop |              |           |
|-----------|-----------|-------------|----------------------|--------------|-----------|
| Model     | Unit Size | Nominal CFM | 1" Throwaway         | 1" Permanent | 1" Merv 8 |
| G*Y       | 02        | 200         | 0.041                | 0.064        | 0.120     |
|           | 03        | 300         | 0.051                | 0.090        | 0.140     |
|           | 04        | 400         | 0.055                | 0.102        | 0.148     |
|           | 06        | 600         | 0.061                | 0.125        | 0.163     |
|           | 08        | 800         | 0.074                | 0.184        | 0.204     |
|           | 10        | 1000        | 0.071                | 0.168        | 0.192     |
|           | 12        | 1200        | 0.074                | 0.183        | 0.204     |

NOTES: Sizes shown are nominal ordering sizes

#### Bipolar Ionizer Specifications

##### SPECIFICATIONS:

- Airflow Capacity: ..... 2,400 CFM
- Pressure Drop: ..... Less than 0.01 In. WG
- Housing Material: ..... ABS
- Weight: ..... 0.2 lbs.
- Maximum Operating Temperature: ..... 200° F (93°C)
- Electrical:
  - Voltage: ..... 24V AC (60Z)
  - Power Consumptions: ..... Less than 1 watt
  - Frequency: ..... 50/60 hertz
  - Over Current Protection:.. 500mA Glass Cartridge Fuse
  - Lead Wires ..... 50"(L)

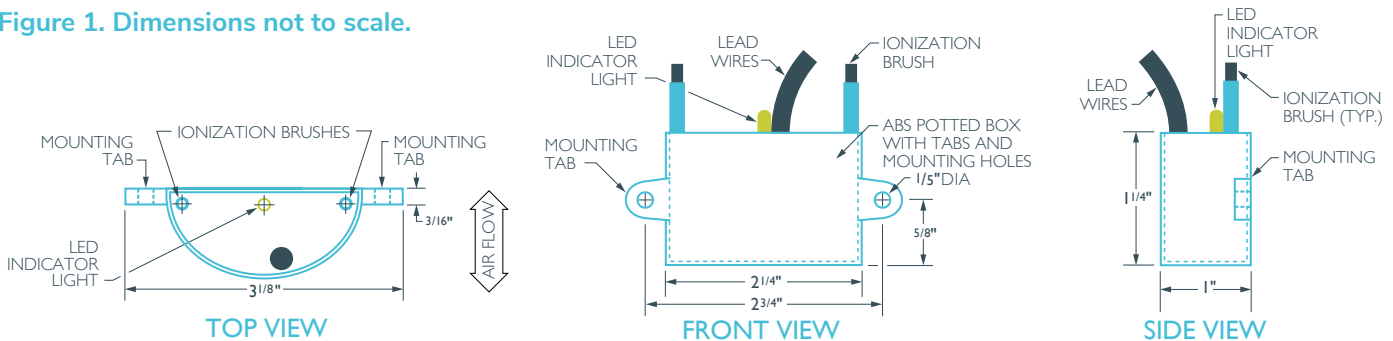
##### Ionization Output:

- Mode of Operation ..... Needlepoint Type
- Needle Configuration: ..... Brush Type

##### DIMENSIONS: See Figure 1

##### APPROVALS: Intertek/ETL Standard UL 867

Figure 1. Dimensions not to scale.



## Standard Features, Options and Accessories, Cont'd.

### Control Packages

#### Controls

As detailed in the table below, we offer control packages that fit most customer needs. Additional controls and devices are available to meet even the most demanding operating logic.

#### Low Voltage Control (24V)

The 85 Control Board offers simplified install and service with its plug-in connections and QR code for quick wiring diagram reference. It also offers LED diagnostics and built-in design flexibility for added features such as staged cooling or BAS signal input. The 85 Control board is available with most control schemes.

##### 85 Control Board Standard Features

- Simplified plug connections
- PSC or ECM control
- LED diagnostics (See IOM-010 for detailed LED function and outcome)
- QR code to wire diagram for ease of troubleshooting
- Conduit compatible for remote mounted control boxes
- Compatibility with all actuator types
- Removable thermostat connector

##### 85 Control Board Options

- ECM fan speed adjustment
- BAS signal input to interrupt fan and actuators
- Fusing and service switch with electric heat
- Condensate switch LED indication
- Damper control

#### Service Switches

We offer concealed service switches for use by maintenance and service personnel to shut off the power while working on the unit.

#### Fusing

We offer incoming power fusing for all units as well as blower motor and control sub-fusing (single power source wiring).

#### Other Control Options

- Unit mounted 3-speed switch (thermostat by others)
- Low voltage remote shutdown relays (Special Quote)
- Fan and valve cycle applications (Special Quote)
- Thermostats available with large letter print for handicap applications (Special Quote)

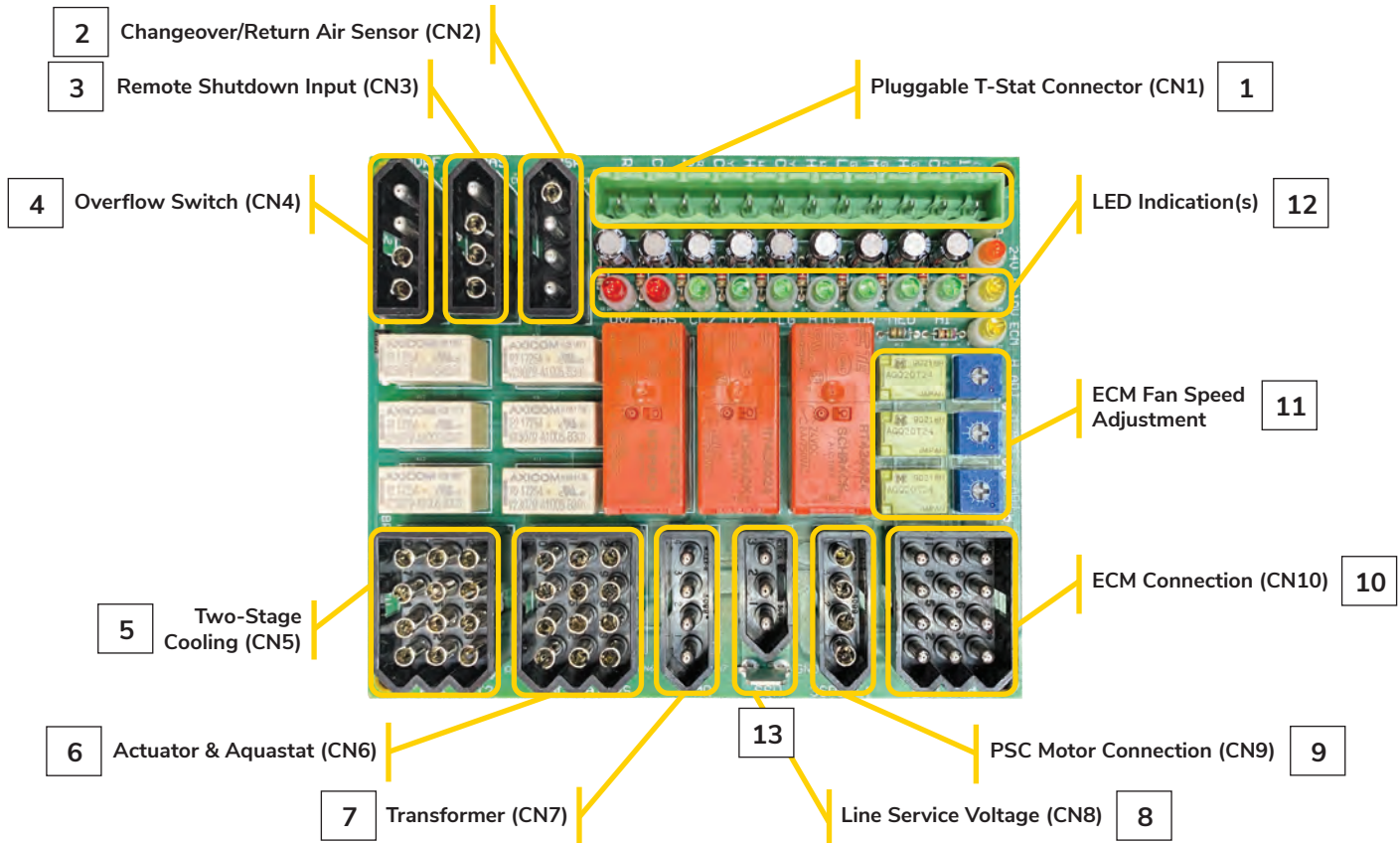
# Cabinet Heater G\*Y Series

## TECHNICAL CATALOG

### Standard Features, Options and Accessories, Cont'd.

#### Controls Packages, Cont'd.

##### 85 Control Board



|    |                                       |
|----|---------------------------------------|
| 1  | CN1 – 24V Customer Input (Thermostat) |
| 2  | CN2 – Changeover/Return Air Sensor    |
| 3  | CN3 – Remote Shutdown Input           |
| 4  | CN4 – Condensate Overflow Switch      |
| 5  | CN5 – Two Stage Cooling               |
| 6  | CN6 – Actuator & Aquastat             |
| 7  | CN7 – Transformer                     |
| 8  | CN8 – Line Service Voltage            |
| 9  | CN9 – PSC Motor Connection            |
| 10 | CN10 – ECM Connection                 |
| 11 | ECM Fan Speed Adjustment              |
| 12 | LED Diagnostics                       |
| 13 | Ground Connection                     |

## Standard Features, Options and Accessories, Cont'd.

### Thermostat Control Package Applications

| Unit Type     | Control Option | System Type         | Changeover Type | W | P | N | F | G | A | B | C |
|---------------|----------------|---------------------|-----------------|---|---|---|---|---|---|---|---|
| -             | Manual Fan     | Manual <sup>1</sup> | None            | - | - | - | - | - | - | - | - |
| 2-Pipe        | Valve Cycle*   | Heat Only           | None            | • | • | • | • | • | • | • | • |
| Electric Heat |                | Total Electric Heat | None            | • | • | • | • | • | • | • | • |

NOTES: 1. Fan switch only; no thermostat

### Thermostat Features

| All listed controls include fan switching. | Control Type <sup>1</sup> |          |          |          |          |   |   |   |
|--|---------------------------|----------|----------|----------|----------|---|---|---|
|  | W                         | P        | N        | F        | G        | A | B | C |
| 24V, 115V, 208V, 240V, 277V                | 24V only                  | 24V only | 24V only | 24V only | 24V only | • | • | • |
| Wi-Fi Enabled                              | •                         | -        | -        | -        | -        | - | - | - |
| Mobile and Web App for Remote Control      | •                         | -        | -        | -        | -        | - | - | - |
| Staged Cooling                             | •                         | -        | -        | -        | -        | - | - | - |
| Programmable                               | •                         | •        | -        | •        | -        | - | - | - |
| Remote Wall Mounted                        | •                         | •        | •        | •        | •        | • | • | • |
| Manual Fan Switch Operation                | •                         | •        | •        | •        | •        | • | • | • |
| Auto Fan Speed Control                     | •                         | •        | •        | •        | •        | - | - | - |
| Continuous 3-Speed Fan                     | •                         | •        | •        | •        | •        | • | • | • |
| Cycling Fan                                | •                         | •        | •        | •        | •        | • | • | • |
| O.A Damper Signal                          | •                         | •        | •        | •        | •        | - | - | - |
| Remote Temperature Sensor                  | Opt                       | Opt      | Opt      | Opt      | Opt      | • | • | • |
| Digital Display & Buttons                  | •                         | •        | •        | •        | •        | - | - | - |
| Local Temperature Set-Back                 | •                         | •        | •        | •        | •        | - | - | - |
| Water Temperature Purge Cycle              | •                         | •        | •        | •        | •        | - | - | - |
| Proportional Control Valves                | -                         | -        | -        | •        | •        | - | - | - |
| Floating Control Valves                    | -                         | -        | -        | •        | •        | - | - | - |
| Pipe Sensor                                | •                         | •        | •        | •        | •        | - | - | - |

NOTES: 1. Control packages with valve cycle control are continuous fan operation only.  
 2. All wall-mount control packages are shipped loose for field installation. (Boxes, tile rings, plaster rings, etc. are not provided).  
 3. Aquastats are included in control packages, as required.

\*LEGEND: A • Basic Electronic Wall Series, 155, Vertical  
 B • Basic Electronic Wall Series, 155, Horizontal  
 C • Basic Electronic Wall Series, 156, Vertical  
 P • Basic 24 V Digital, 7-Day Programmable  
 N • Basic 24 V Digital, Non-Programmable  
 F • Premium 24 V Digital, 7-Day Programmable/BACnet with Proportional Fan/Valves Option  
 G • Premium 24 V Digital BACnet with Proportional Fan/Valves Option  
 W • Venture 24 V Wi-Fi Programmable

# Cabinet Heater G\*Y Series

## TECHNICAL CATALOG

### Standard Features, Options, and Accessories, Cont'd.



Venture 24V,  
Wi-Fi Programmable



Basic 24V Digital  
7-Day Programmable and  
Non-Programmable Series



Premium 24V Digital  
7-Day Programmable/BACnet



Basic Electronic Wall Series  
155, Vertical and Horizontal

## Standard Features, Options, and Accessories, Cont'd.

### Outside Air Dampers

GHY, GXY, GSY models may be supplied with an outside air inlet connection. When a damper for control of the outside air is provided, two styles of outside air damper control are available.

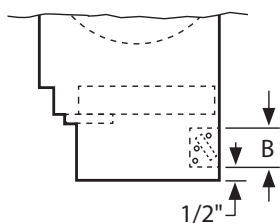
#### Manual Damper

Control of the damper is by manual operation of the damper in the unit return air toe space. GHY, GXY, GSY models are provided with a lever arm on the damper.

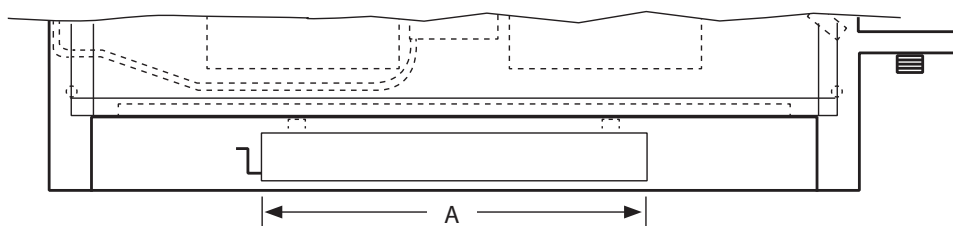
#### Motorized Damper

For GHY, GXY, GSY models only, control of the damper is achieved by a motorized operator installed in the left-hand end compartment. Consult the factory for application restrictions.

| Unit Size | Nominal CFM | Outside Air Opening Dimensions – Inches (Millimeters) |               |
|-----------|-------------|---|---------------|
|           |             | GHY, GXY, GSY   |               |
|           |             | Front View (A)  | Side View (B) |
| 02        | 200         | 8" (203)  | 2" (51)       |
| 03        | 300         | 10" (254)   | 2" (51)       |
| 04        | 400         | 12" (305)   | 2" (51)       |
| 06        | 600         | 14" (356)   | 2" (51)       |
| 08        | 800         | 18" (457)   | 2" (51)       |
| 10        | 1000        | 27" (686)   | 2" (51)       |
| 12        | 1200        | 27" (686)   | 2" (51)       |



**Side View**



**Front View**

# Cabinet Heater G\*Y Series

## TECHNICAL CATALOG

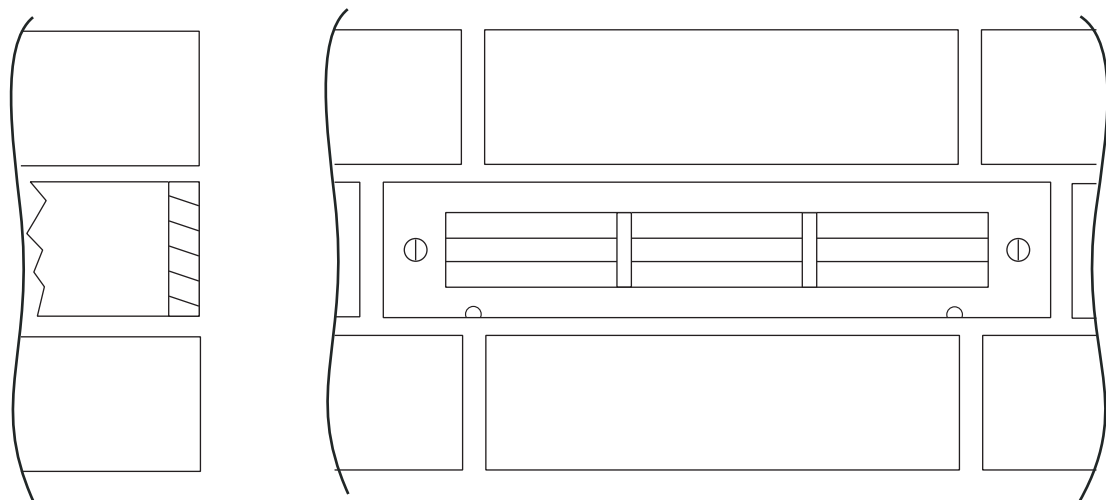
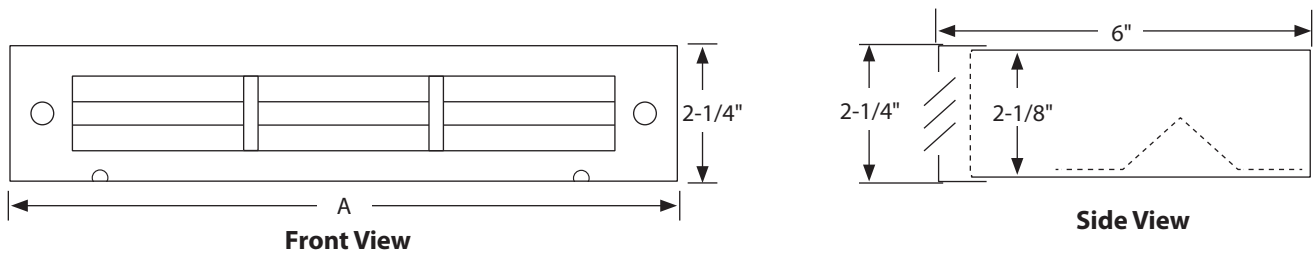
### Standard Features, Options, and Accessories, Cont'd.

#### Outside Air Wall Boxes

Optional outside air wall boxes are constructed of aluminum to minimize corrosion. A louvered grille caps the wall box on the exterior side. A fine mesh insect screen is installed behind the louver on the inside of the box.

Standard wall box depth is six inches with the width and length dimensions established to be used with the appropriate outside air openings.

| Unit Size | Nominal CFM | Outside Air Opening Dimensions – Inches (Millimeters) |               |
|-----------|-------------|---|---------------|
|           |             | GHY, GXY, GSY   |               |
|           |             | Front View (A)  | Side View (B) |
| 02        | 200         | 8-1/4" (203)  | 2-1/8" (54)   |
| 03        | 300         | 8-1/4" (203)  | 2-1/8" (54)   |
| 04        | 400         | 12-1/4" (311)   | 2-1/8" (54)   |
| 06        | 600         | 14-1/4" (362)   | 2-1/8" (54)   |
| 08        | 800         | 18-1/4" (464)   | 2-1/8" (54)   |
| 10        | 1000        | 27-1/4" (692)   | 2-1/8" (54)   |
| 12        | 1200        | 27-1/4" (692)   | 2-1/8" (54)   |



Typical Wall Installation



## Standard Features, Options, and Accessories, Cont'd.

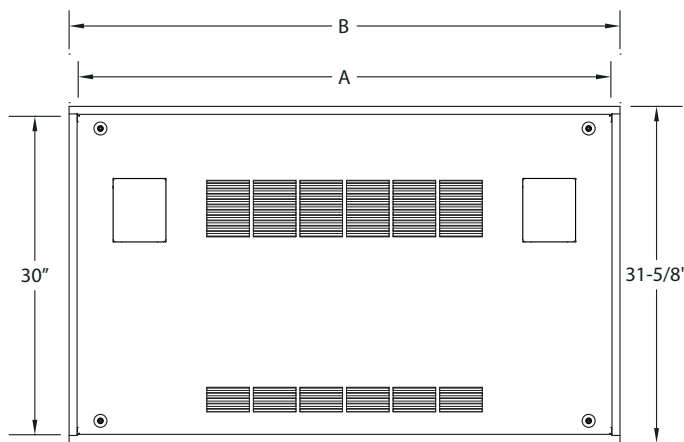
### Decorative Wall Panels

Optional decorative wall panels are used with GHY model when fully recessed into the wall of the conditioned space. The wall panels cover the recessed unit on all sides and can be removed for access to the unit for servicing. The wall panel provides the air seal for the front of the unit; therefore, installation alignment is critical. Consult the factory for installation instructions.

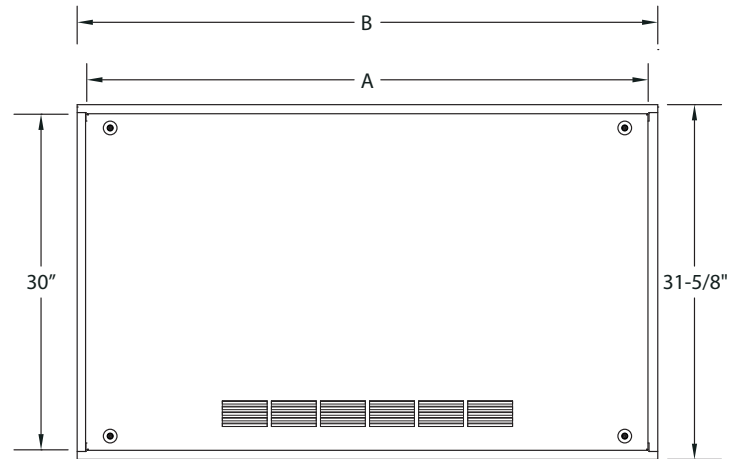
Two styles of decorative wall panels are available – Style W, with stamped return and supply louvers and front facing hinged-access doors; and Style Z, with stamped return louvers only.

Options for tamper proof access doors and/or tamper proof wall panels available.

| Nominal CFM | Panel Width (A) Inches (mm) | Frame Width (B) Inches (mm) | Wall Opening Inches (mm) |               |
|-------------|-----------------------------|-----------------------------|--------------------------|---------------|
|             |                             |                             | Width                    | Height        |
| 200         | 40" (1016)                  | 41-3/4" (1061)              | 40-3/8" (1026)           | 30-1/4" (768) |
| 300         | 44" (1118)                  | 45-3/4" (1163)              | 44-3/8" (1128)           | 30-1/4" (768) |
| 400         | 50" (1270)                  | 51-3/4" (1315)              | 50-3/8" (1280)           | 30-1/4" (768) |
| 600         | 60" (1524)                  | 61-3/4" (1569)              | 60-3/8" (1534)           | 30-1/4" (768) |
| 800         | 62" (1575)                  | 63-3/4" (1619)              | 62-3/8" (1585)           | 30-1/4" (768) |
| 1000        | 76" (1930)                  | 77-3/4" (1975)              | 76-3/8" (1940)           | 30-1/4" (768) |
| 1200        | 84" (2134)                  | 85-3/4" (2178)              | 84-3/8" (2143)           | 30-1/4" (768) |



Style W



Style Z

### Supply Air Grilles (Optional)

| Unit Size | Nominal CFM | Recommended Grille Sizes – Inches (Millimeters) |                       |
|-----------|-------------|---|-----------------------|
|           |             | GXY, GSY  | GHY                   |
| 02        | 200         | 16" x 6" (406 x 152)                            | 16" x 5" (406 x 127)  |
| 03        | 300         | 16" x 6" (406 x 152)                            | 18" x 5" (457 x 127)  |
| 04        | 400         | 26" x 6" (660 x 152)                            | 26" x 5" (660 x 127)  |
| 06        | 600         | 36" x 6" (914 x 152)                            | 36" x 5" (914 x 127)  |
| 08        | 800         | 38" x 6" (965 x 152)                            | 38" x 5" (965 x 127)  |
| 10        | 1000        | 52" x 6" (1321 x 152)                           | 52" x 5" (1321 x 127) |
| 12        | 1200        | 60" x 6" (1524 x 152)                           | 60" x 5" (1524 x 127) |

- NOTES: 1. Refer to Submittal Data pages for actual unit supply air opening dimensions.  
 2. GXY and GSY models supply air grilles are factory installed.  
 3. GHY models supply air grilles are shipped loose.

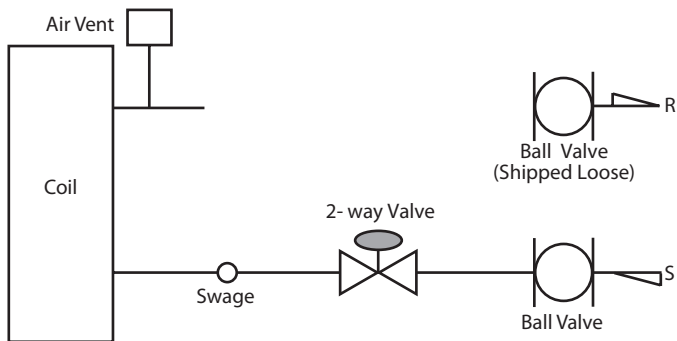
# Cabinet Heater G\*Y Series

## TECHNICAL CATALOG

### Standard Features, Option, and Accessories, Cont'd.

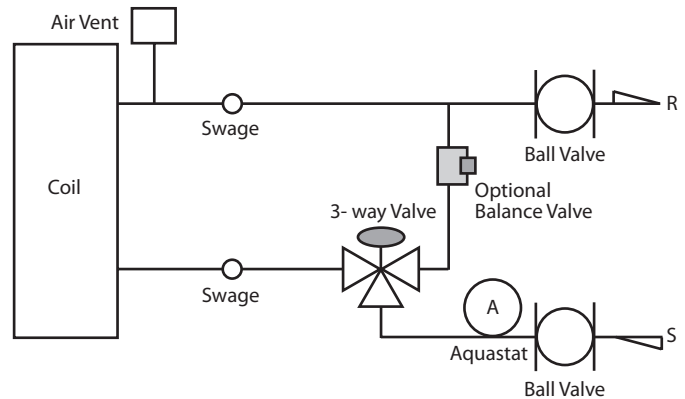
#### Two-way Motorized Control Valve

In a two-way motorized control valve package, the motor drives the valve open, and a spring returns the valve to a normally closed position. No water flows with the unit off. The standard supply connection from the coil will accept a swaged copper fitting for field soldering. As an option, this connection may be factory furnished with a union. When a swage is necessary, it becomes part of the valve package. The isolation ball valve in the return piping is shipped loose for field installation.



#### Three-way Motorized Control Valve

In a three-way motorized control valve package, a diverting valve controls water flow to the coil. When the unit is off, water bypasses the coil and flows directly to the system return. A balancing valve may be specified in the bypass line to permit equal flow balancing.



This page intentionally left blank.

# Cabinet Heater G\*Y Series

## TECHNICAL CATALOG

---



Contact your local IEC Sales Representative for further details and pricing applicable to this product. Visit our website ([iec-okc.com](http://iec-okc.com)) to find your local IEC Sales Rep.

IEC Part Number: I100-90034484

CA-010 Revision 1 (10/2021)

©2021 International Environmental Corporation (IEC)



5000 W. I-40 Service Rd.  
Oklahoma City, OK 73128  
P: 405.605.5000  
F: 405.605.5001  
[www.iec-okc.com](http://www.iec-okc.com)